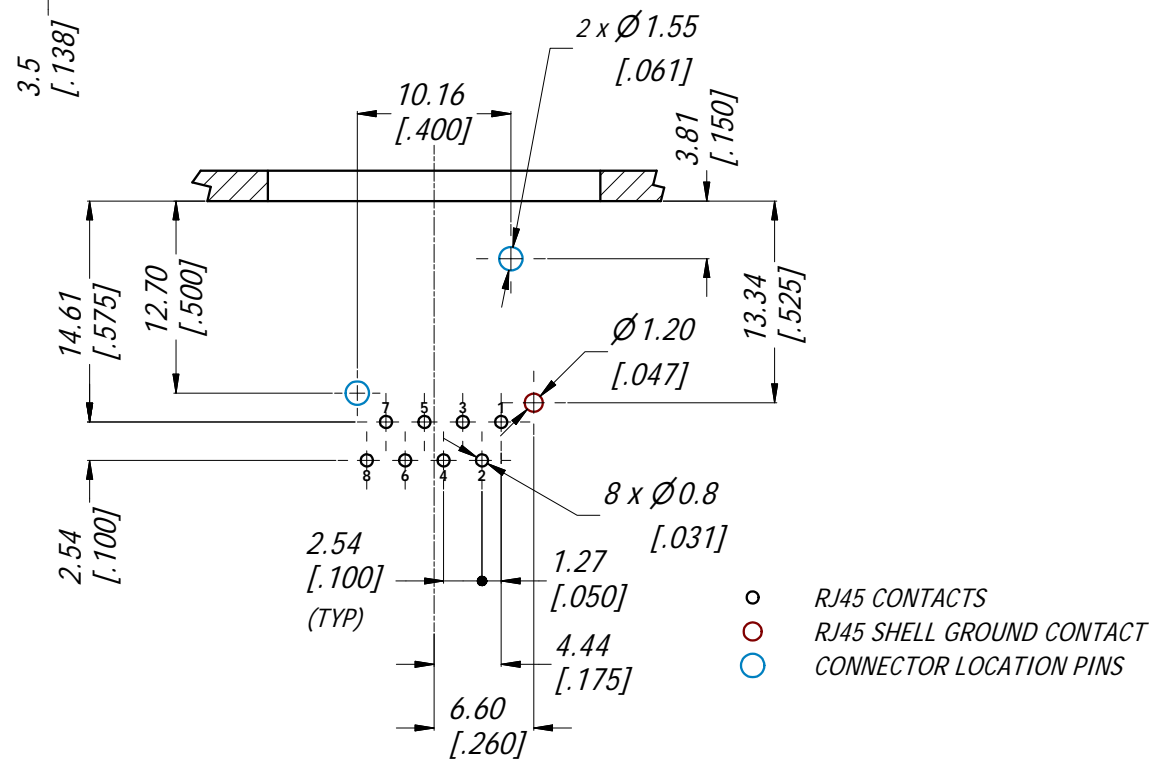


TABLE OF PART NUMBERS

PART No.	FRONT SHELL MATERIAL
RJX8FA5H	PLASTIC BLACK A TYPE
RJX8FB5H	METAL NICKEL PLATED B TYPE

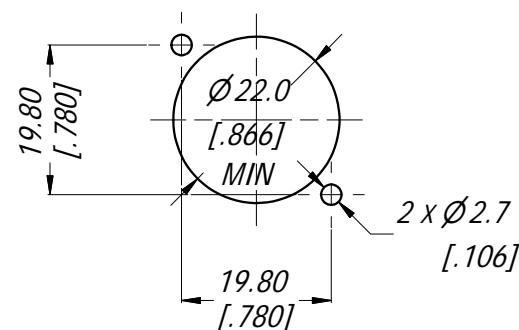


PCB LAYOUT
2:1
(CONNECTOR TOP VIEW)

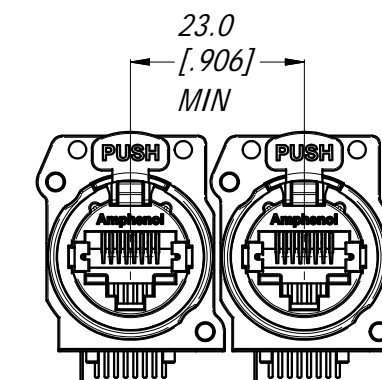
PSE PINOUT ALTERNATIVES

CONDUCTOR	Alternative-A (MDI-X)	Alternative-A (MDI)	Alternative-A (All)
1	Negative V _{PSE}	Positive V _{PSE}	
2	Negative V _{PSE}	Positive V _{PSE}	
3	Positive V _{PSE}	Negative V _{PSE}	
4			Positive V _{PSE}
5			Positive V _{PSE}
6	Positive V _{PSE}	Negative V _{PSE}	
7			Negative V _{PSE}
8			Negative V _{PSE}

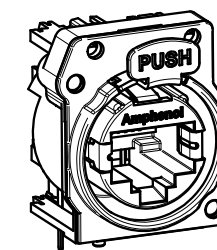
- RJ45 CONTACTS
- RJ45 SHELL GROUND CONTACT
- CONNECTOR LOCATION PINS



PANEL CUT OUT
1:1
(CONNECTOR FRONT VIEW)



MIN MOUNTING PITCH
1:1



3D VIEW
1:1

SPECIFICATIONS:

1. MATERIALS:

- PLASTIC INSERT & HOUSING: HIGH TEMPERATURE THERMOPLASTIC FLAMMABILITY RATING UL94V-0 DSM STANYL, 30% BLACK
- FRONT SHELL: METAL: ZINC ALLOY ZAMAK 3, NICKEL PLATE (B TYPE) OR PLASTIC (A TYPE).
- CONTACTS: PHOSPHORE BRONZE, 1.27 um GOLD PLATE ON MATING SURFACES, 1.27 um NICKEL MIN UNDERPLATE. 3.81 um MIN MATTE TIN ON CONTACT TAILS.
- LATCH LOCK AND SPRING: SPRING STEEL, NICKEL PLATE.

2. ELECTRICAL CHARACTERISTICS:

- RATED VOLTAGE: 125 VAC
- TYPICAL CONTACT RESISTANCE: 20 mOhm
- INSULATION RESISTANCE: >500 MOhm
- DIELECTRIC STRENGTH: 1000 VAC, 60 SECONDS
- TRANSMISSION SPECIFICATION/CLASS: COMPLIES WITH CAT5e 1000 BASE-T PER EIA-568-C.2
- PoE+ COMPLIES WITH 802.3at Type 2 (SEE PSE PINOUT ALTERNATIVE TABLE)

UNLESS OTHERWISE SPECIFIED TOLERANCE TO BE		THIS DOCUMENT IS THE PROPERTY OF AMPHENOL AUSTRALIA PTY. LTD. NO PART THEREOF MAY BE REPRODUCED AND USED WITHOUT THE PRIOR WRITTEN CONSENT OF THE OWNER.		Amphenol		Amphenol Australia Pty.Ltd, 20 Industry Blvd, Carrum Downs VIC 3201 Australia	
LINER	ANGULAR	MATERIAL:	DRN: T.N	DATE: 08/10/12	TITLE:	PART No:	REV
X ± 0.5	X' ± 1	REFER SPECIFICATION	CKD: P.M	DATE: 08/10/12	XLRnet CONNECTOR RJ45 RECP CAT5e NON-LED & EMI SHIELD	REFER TO TABLE OF PART NUMBERS	1
X.X ± 0.1	X.X' ± 30'		APP'D: P.M	DATE: 08/10/12			
X.X ± 0.05	X.X' ± 15'	DO NOT SCALE	FINISH:	SCALE: 3:2	SIZE: A3	DRAWING No.	SHEET
DIMENSIONS IN MILLIMETRES		THIRD ANGLE PROJECTION				55010837-000	1/1