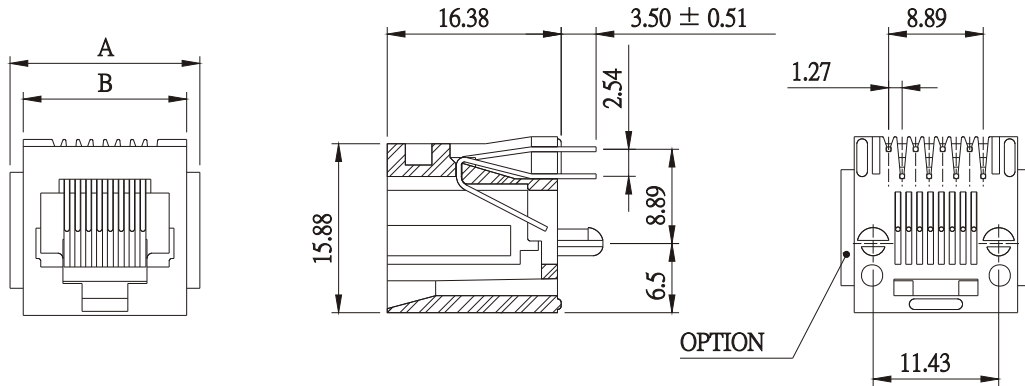
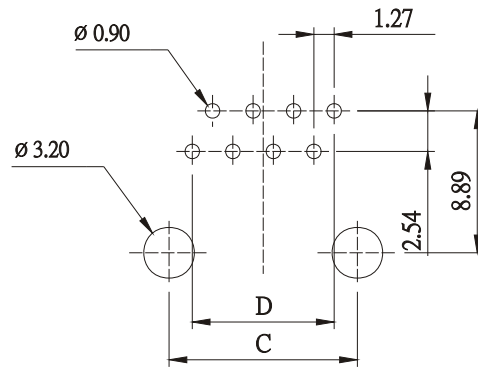


52 SERIES - TOP ENTRY "SPLIT FOOT" PCB JACK "F" TYPE <4P,6P,8P>



NO. Of Positions	Dimensions			
	A	B	C	D
4	13.97	11.43	7.62	3.81
6	16.00	13.46	10.16	6.35
8	17.84	15.36	11.43	8.89



PC Board Layout

Technical Data

Housing : Standard Material
 Glass Filled Polyester UL94V-0
 Standard Colour : Black
 Contact : 0.46mm Phosphor Bronze
 Gold Plating Over Nickel

Ordering Information

