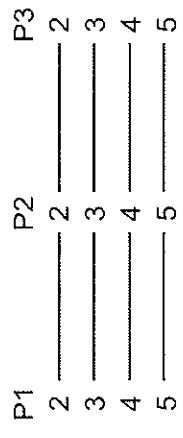
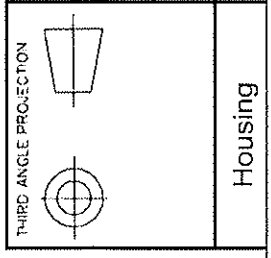
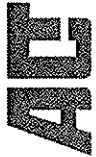


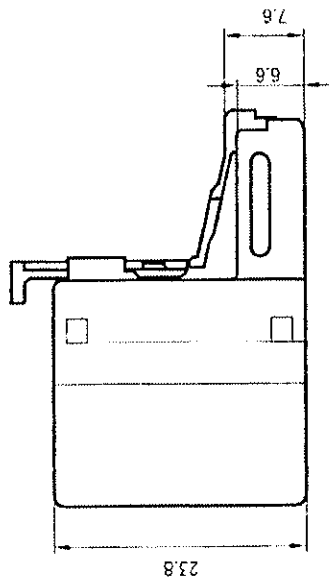
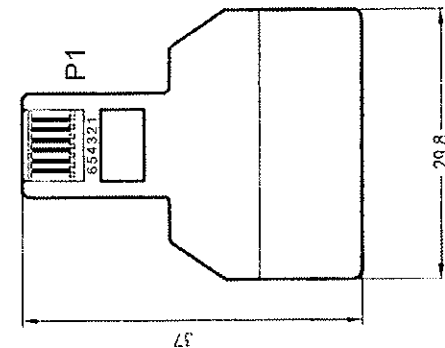
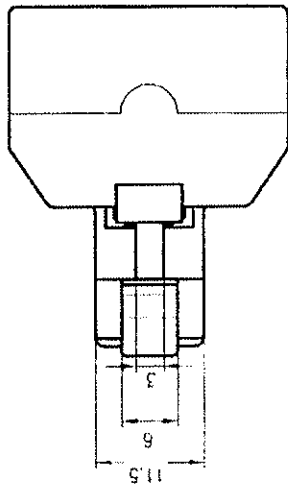
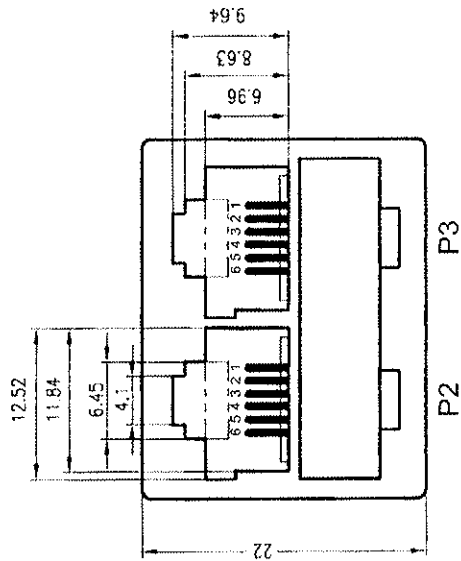
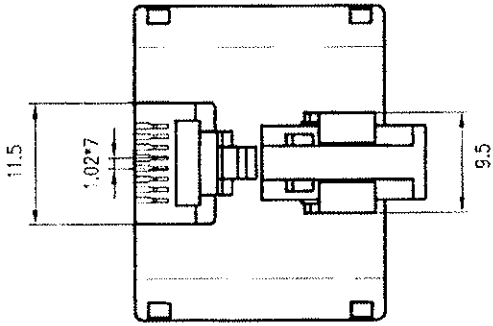
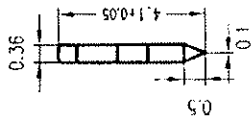
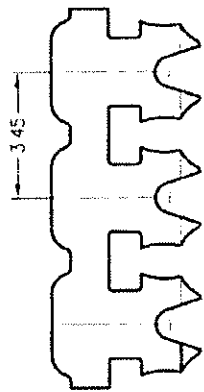
Wiring diagram:



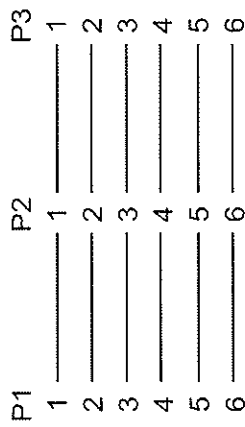
S. 2011.01.03



	Item TD1504
	2 x RJ-11 6P4C Female + 1 x RJ-11 6P4C Male Modular adapter
Housing	ABS white color



Wiring diagram:



Handwritten signature and date: 2011.01.03



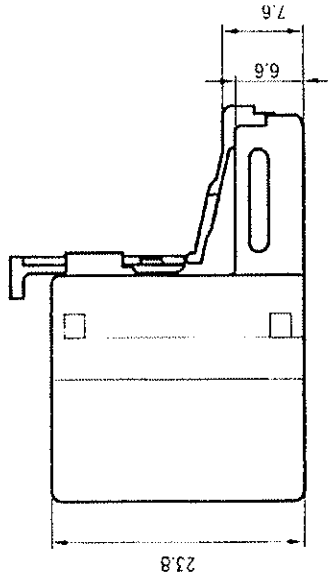
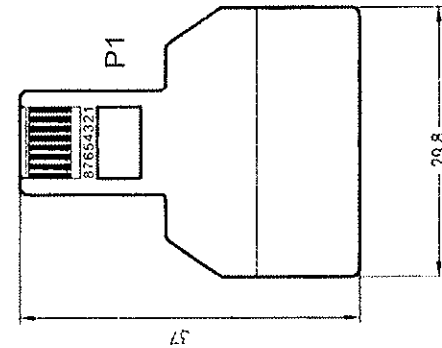
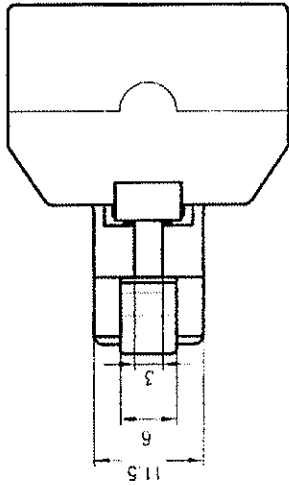
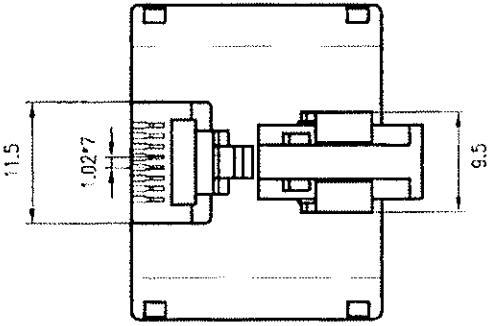
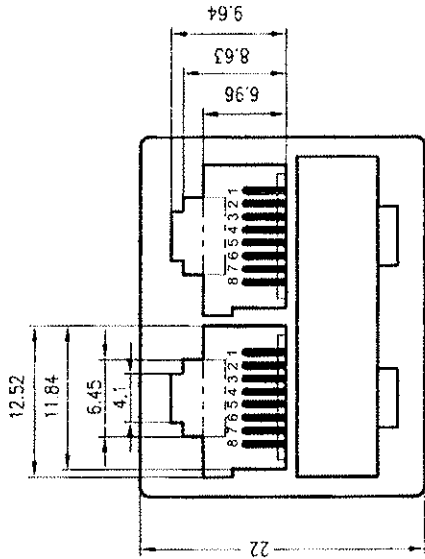
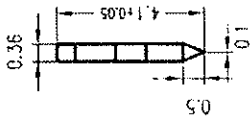
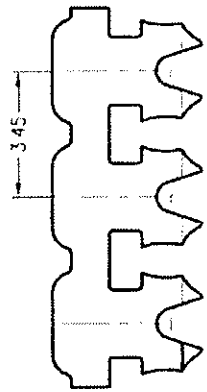
ACE

Item TD1506

2 x RJ-12 6P6C Female + 1 x RJ-12 6P6C Male
Modular adapter

ABS white color

Housing



Wiring diagram:

P1	P2	P3
1	1	1
2	2	2
3	3	3
4	4	4
5	5	5
6	6	6
7	7	7
8	8	8

J
20/10/03



THIRD ANGLE PROJECTION

AE

Item TD1508

2 x RJ-45 8P8C Female + 1 x RJ-45 8P8C Male
Modular adapter

ABS white color

Housing