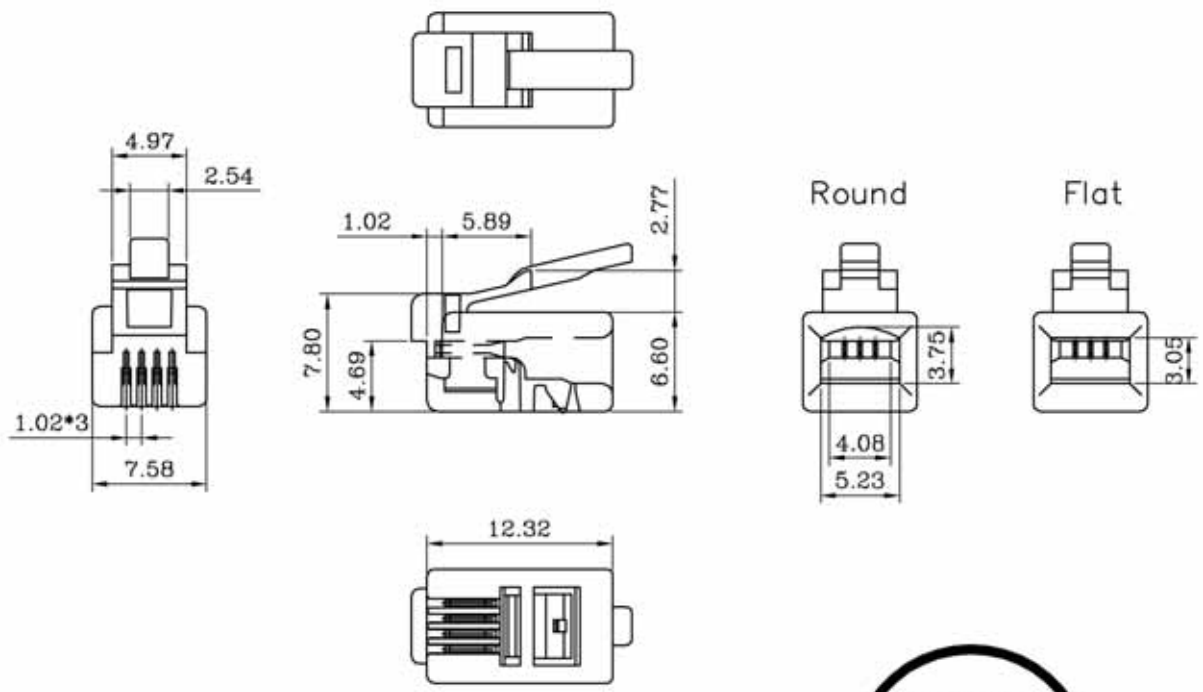


REV	DATE	MODIFICATION	DRAWN
	2010/08/02		



SPECIFICATIONS

1.ELECTRICAL:

UL APPLICATIONS: 250 VOLTS AC MAX., AT 2 AMPS.
 DIELECTRIC WITHSTANDING VOLTAGE : 500 VOLTS AC.
 INSULATION RESISTANCE: 100 M Ω.
 TERMINATION: RESISTANCE 20m Ω MAX AFTER ENVIRONMENTAL TESTING.

2.MECHANICAL:

CABLE-TO-PLUG TENSILE STRENGTH : 20POUND MIN.
 DURABILITY : 200 MATING CYCLES.

3.MATERIAL & FINISH:

HOUSING: POLYCARBONATE, UL94V-2 OR UL94V-0.
 COLOR: TRANSPARENT OR OTHER COLOR ARE AVAILABLE.
 CONTACT BLADE: COPPER ALLOY.
 CONDUCTOR : STRANDED & SOLID WIRE , 24AWG, 26 AWG.
 GOLD PLATING: 3u"-50u",ARE AVAILABLE.

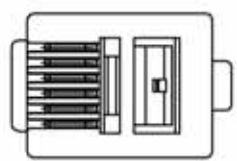
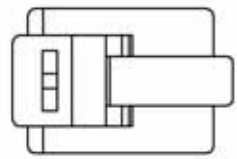
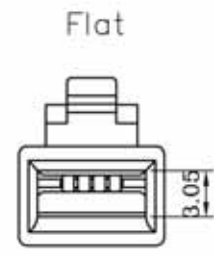
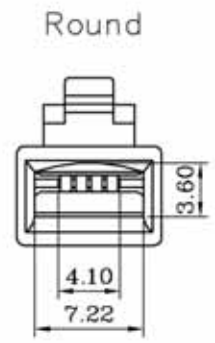
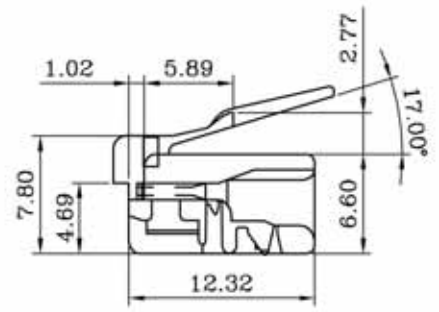
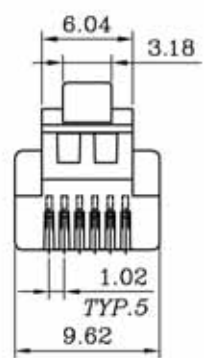


BLADE:	E				
Drawing			CABLE TYPE		FLAT
Mark	✓		Mark		✓
GOLD PLATING					50u"
Mark					✓

AC			
DIMENSION IN mm (Inch) TOLERANCE UNLESS OTHERWISE SPECIFIED		MATERIAL PC	DWG. NO. TD102
.X±0.20	.X*±5*	TITLE	
.XX±0.10	.XX*±2*		
APPROVAL 	CHECKED 	DRAWN LiJing	SCALE 2/1 SHEET 1/1
		PROJ.	REV A

REV	DATE	MODIFICATION	DRAWN
	2010/08/02		

A
B
C
D



SPECIFICATIONS

1.ELECTRICAL:

UL APPLICATIONS: 250 VOLTS AC MAX., AT 2 AMPS.
 DIELECTRIC WITHSTANDING VOLTAGE : 500 VOLTS AC.
 INSULATION RESISTANCE: 100 M Ω.
 TERMINATION: RESISTANCE 20m Ω MAX AFTER ENVIRONMENTAL TESTING.

2.MECHANICAL:

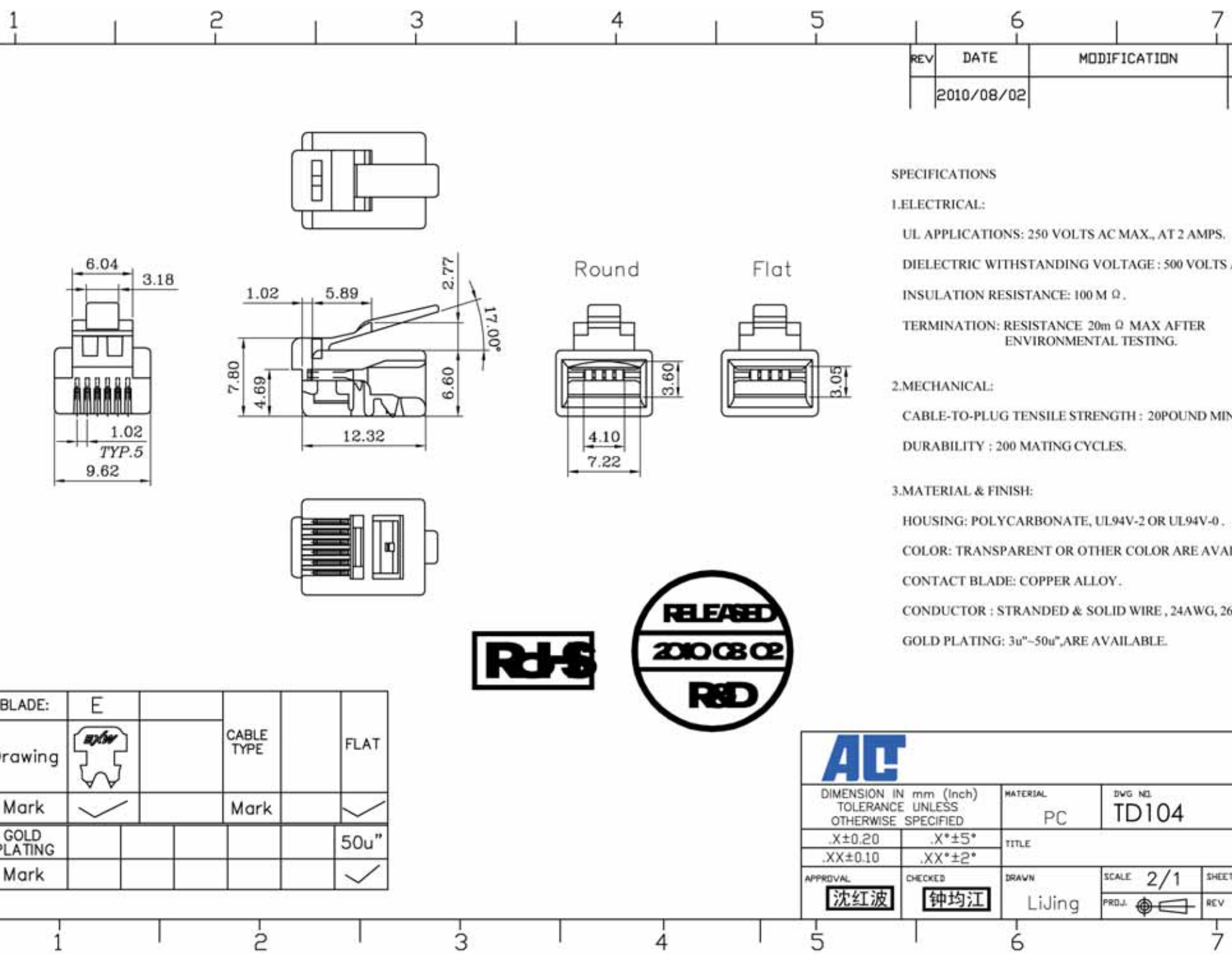
CABLE-TO-PLUG TENSILE STRENGTH : 20POUND MIN.
 DURABILITY : 200 MATING CYCLES.

3.MATERIAL & FINISH:

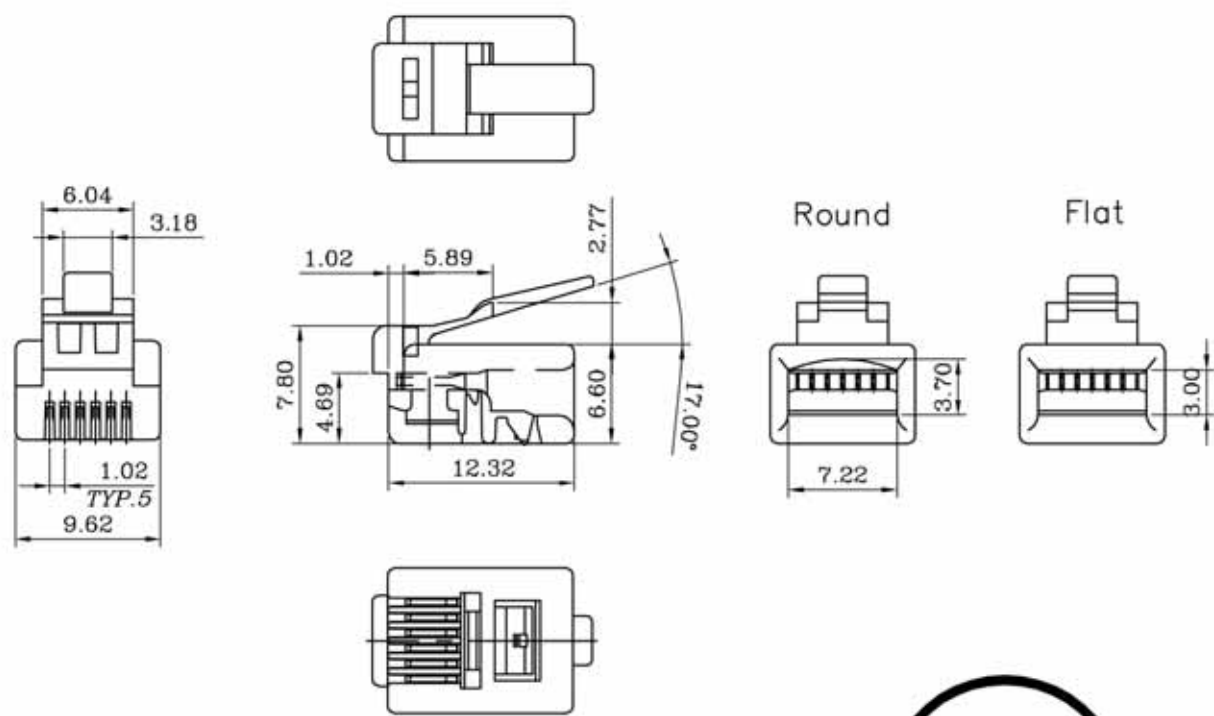
HOUSING: POLYCARBONATE, UL94V-2 OR UL94V-0 .
 COLOR: TRANSPARENT OR OTHER COLOR ARE AVAILABLE.
 CONTACT BLADE: COPPER ALLOY .
 CONDUCTOR : STRANDED & SOLID WIRE , 24AWG, 26 AWG.
 GOLD PLATING: 3u"-50u",ARE AVAILABLE.

BLADE:	E				
Drawing			CABLE TYPE		FLAT
Mark	✓		Mark		✓
GOLD PLATING					50u"
Mark					✓

AC		MATERIAL		DWG. NO.	
DIMENSION IN mm (Inch) TOLERANCE UNLESS OTHERWISE SPECIFIED		PC		TD104	
.X±0.20		.X*±5*		TITLE	
.XX±0.10		.XX*±2*		DRAWN	
APPROVAL		CHECKED		SCALE 2/1	
				SHEET 1/1	
		LiJing		REV A	



REV	DATE	MODIFICATION	DRAWN
	25/12/09		



SPECIFICATIONS

1.ELECTRICAL:

UL APPLICATIONS: 250 VOLTS AC MAX., AT 2 AMPS.
 DIELECTRIC WITHSTANDING VOLTAGE : 500 VOLTS AC.
 INSULATION RESISTANCE: 100 M Ω.
 TERMINATION: RESISTANCE 20m Ω MAX AFTER ENVIRONMENTAL TESTING.

2.MECHANICAL:

CABLE-TO-PLUG TENSILE STRENGTH : 20POUND MIN.
 DURABILITY : 200 MATING CYCLES.

3.MATERIAL & FINISH:

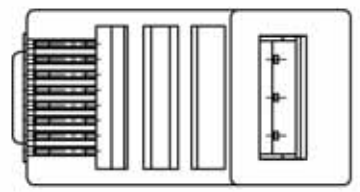
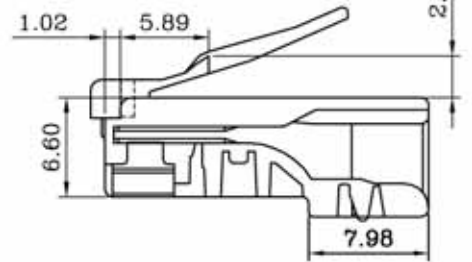
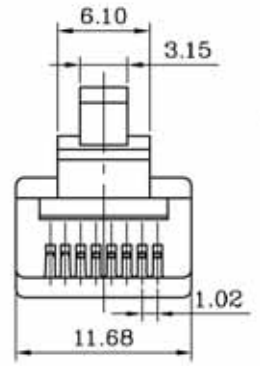
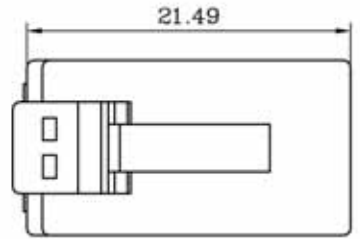
HOUSING: POLYCARBONATE, UL94V-2 OR UL94V-0 .
 COLOR: TRANSPARENT OR OTHER COLOR ARE AVAILABLE.
 CONTACT BLADE: COPPER ALLOY .
 CONDUCTOR : STRANDED & SOLID WIRE , 24AWG, 26 AWG.
 GOLD PLATING: 3u"-50u",ARE AVAILABLE.



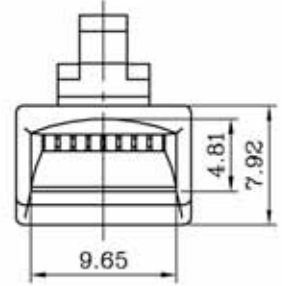
BLADE:	E				
Drawing			CABLE TYPE		FLAT
Mark	✓		Mark		✓
GOLD PLATING					50u"
Mark					✓

AC			
DIMENSION IN mm (Inch) TOLERANCE UNLESS OTHERWISE SPECIFIED		MATERIAL PC	DWG. NO. TD106
.X±0.20	.X*±5*	TITLE	
.XX±0.10	.XX*±2*	DRAWN LiJing	
APPROVAL 	CHECKED 	SCALE 2/1	SHEET 1/1
		PROJ.	REV A

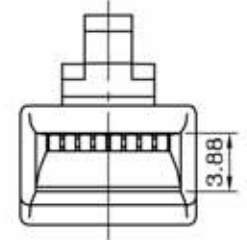
REV	DATE	MODIFICATION	DRAWN
	25/12/09		



Round



Flat



SPECIFICATIONS

1.ELECTRICAL:

- UL APPLICATIONS: 250 VOLTS AC MAX., AT 2 AMPS.
- DIELECTRIC WITHSTANDING VOLTAGE : 500 VOLTS AC.
- INSULATION RESISTANCE: 100 M Ω .
- TERMINATION: RESISTANCE 20m Ω MAX AFTER ENVIRONMENTAL TESTING.

2.MECHANICAL:

- CABLE-TO-PLUG TENSILE STRENGTH : 20POUND MIN.
- DURABILITY : 200 MATING CYCLES.

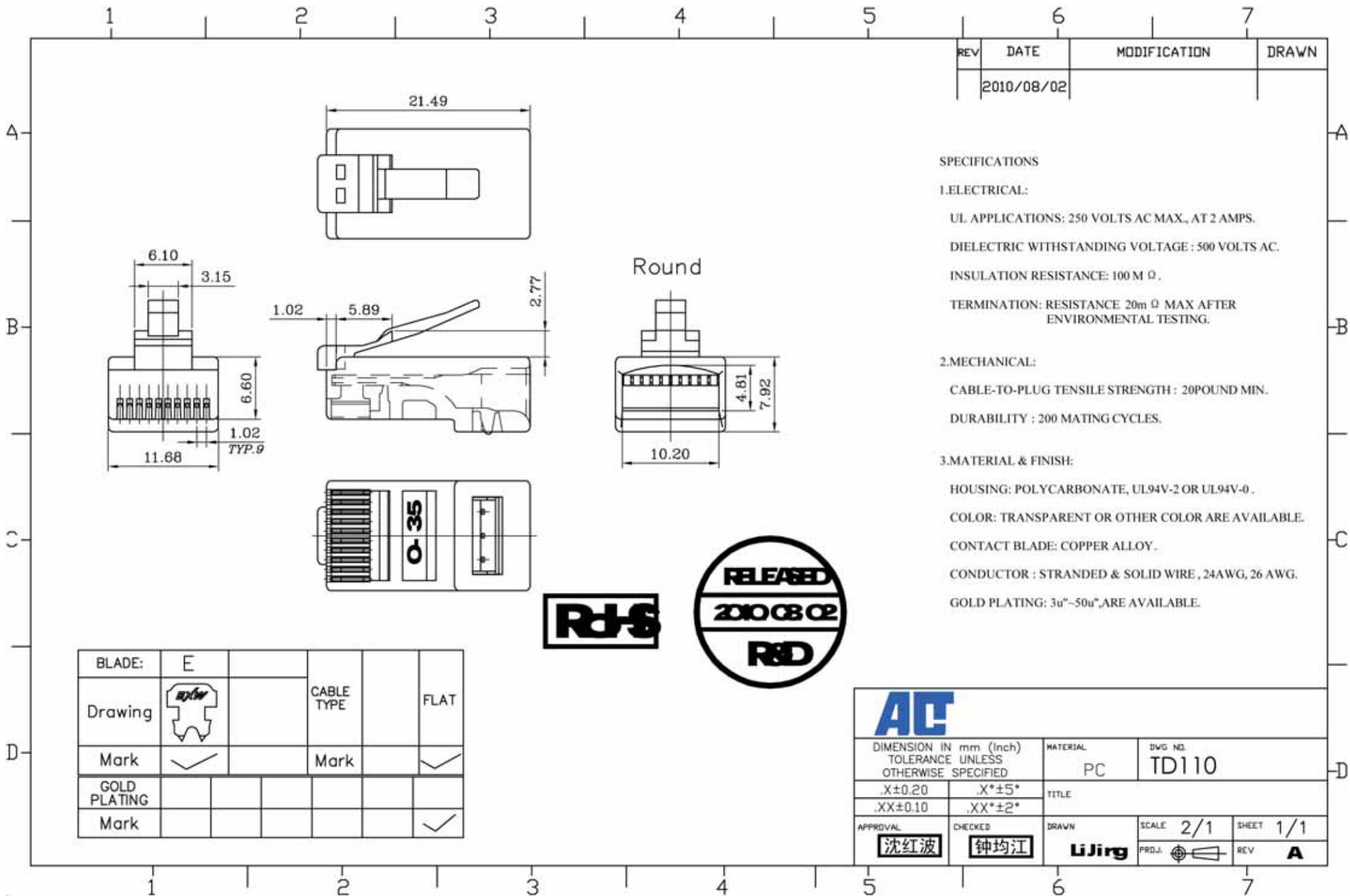
3.MATERIAL & FINISH:

- HOUSING: POLYCARBONATE, UL94V-2 OR UL94V-0 .
- COLOR: TRANSPARENT OR OTHER COLOR ARE AVAILABLE.
- CONTACT BLADE: COPPER ALLOY .
- CONDUCTOR : STRANDED & SOLID WIRE , 24AWG, 26 AWG.
- GOLD PLATING: 3u"-50u", ARE AVAILABLE.



BLADE:	E				
Drawing			CABLE TYPE		FLAT
Mark	✓		Mark		✓
GOLD PLATING					50u"
Mark					✓

AC			
DIMENSION IN mm (Inch) TOLERANCE UNLESS OTHERWISE SPECIFIED		MATERIAL PC	DWG NO. TD108
.X±0.20	.X°±5°	TITLE	
.XX±0.10	.XX°±2°	DRAWN LiJing	
APPROVAL 	CHECKED 	SCALE 2/1	SHEET 1/1
		PROJ.	REV A



REV	DATE	MODIFICATION	DRAWN
	2010/08/02		

SPECIFICATIONS

1.ELECTRICAL:

- UL APPLICATIONS: 250 VOLTS AC MAX., AT 2 AMPS.
- DIELECTRIC WITHSTANDING VOLTAGE : 500 VOLTS AC.
- INSULATION RESISTANCE: 100 M Ω.
- TERMINATION: RESISTANCE 20m Ω MAX AFTER ENVIRONMENTAL TESTING.

2.MECHANICAL:

- CABLE-TO-PLUG TENSILE STRENGTH : 20POUND MIN.
- DURABILITY : 200 MATING CYCLES.

3.MATERIAL & FINISH:

- HOUSING: POLYCARBONATE, UL94V-2 OR UL94V-0 .
- COLOR: TRANSPARENT OR OTHER COLOR ARE AVAILABLE.
- CONTACT BLADE: COPPER ALLOY .
- CONDUCTOR : STRANDED & SOLID WIRE , 24AWG, 26 AWG.
- GOLD PLATING: 3u"-50u",ARE AVAILABLE.



BLADE:	E				
Drawing			CABLE TYPE		FLAT
Mark	✓		Mark		✓
GOLD PLATING					
Mark					✓

AC			
DIMENSION IN mm (Inch) TOLERANCE UNLESS OTHERWISE SPECIFIED		MATERIAL PC	DWG. NO. TD110
.X±0.20	.X*±5*	TITLE	
.XX±0.10	.XX*±2*		
APPROVAL 	CHECKED 	DRAWN LiJing	SCALE 2/1 SHEET 1/1
		PROJ.	REV A