

REV	DATE	MODIFICATION	DRAWN
	2010/08/02		

SPECIFICATIONS

1.ELECTRICAL:

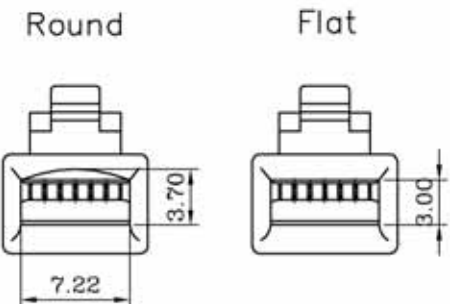
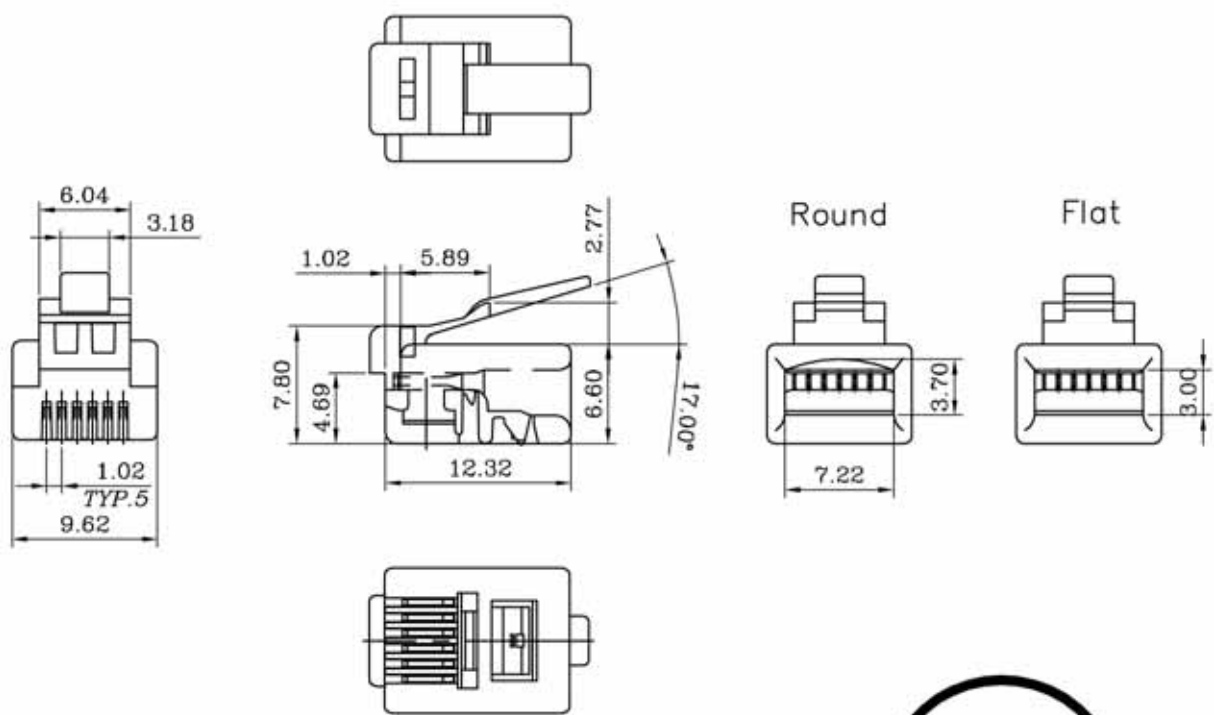
UL APPLICATIONS: 250 VOLTS AC MAX., AT 2 AMPS.
 DIELECTRIC WITHSTANDING VOLTAGE : 500 VOLTS AC.
 INSULATION RESISTANCE: 100 M Ω.
 TERMINATION: RESISTANCE 20m Ω MAX AFTER ENVIRONMENTAL TESTING.

2.MECHANICAL:

CABLE-TO-PLUG TENSILE STRENGTH : 20POUND MIN.
 DURABILITY : 200 MATING CYCLES.

3.MATERIAL & FINISH:

HOUSING: POLYCARBONATE, UL94V-2 OR UL94V-0.
 COLOR: TRANSPARENT OR OTHER COLOR ARE AVAILABLE.
 CONTACT BLADE: COPPER ALLOY.
 CONDUCTOR : STRANDED & SOLID WIRE, 24AWG, 26 AWG.
 GOLD PLATING: 3u"-50u", ARE AVAILABLE.



BLADE:	A	AB			
Drawing			CABLE TYPE	ROUND	
Mark	✓		Mark	✓	
GOLD PLATING					50u"
Mark					✓

AC			
DIMENSION IN mm (Inch) TOLERANCE UNLESS OTHERWISE SPECIFIED		MATERIAL PC	SVG NO. TD106M
.X±0.20	.X*±5°	TITLE	
.XX±0.10	.XX*±2°		
APPROVAL 	CHECKED 	DRAWN LiJing	SCALE 2/1 SHEET 1/1 PROJ. REV A