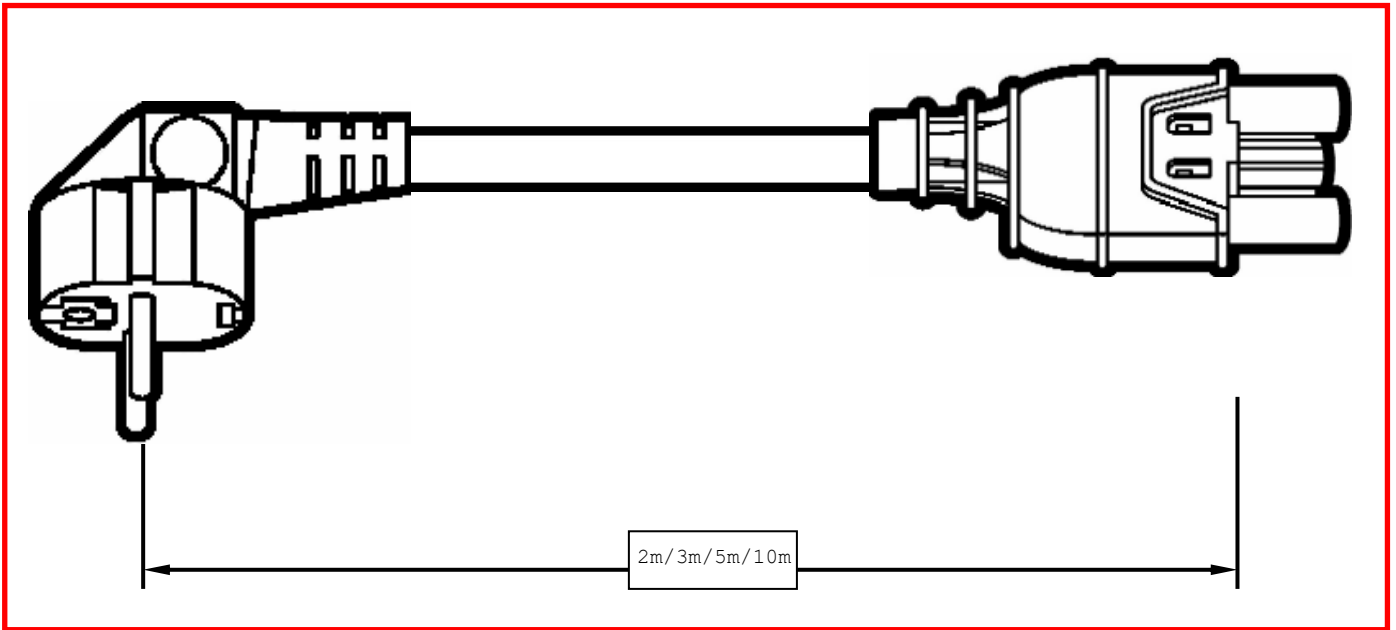


Cordset Prolink



PRODUCT SPECIFICATION

▶ part number	
▶ current rating (A)	16
▶ voltage rating (VAC)	250
▶ temperature rating (°C)	-15 to +70
▶ plug type	Continental Europe CEE7/7 "Schuko"
▶ plug colour	Black
▶ plug style	Angled
▶	
▶ connector type	Prolink Female (Compatible Wieland GST18/3)
▶ connector colour	Light grey
▶ connector style	Straight
▶	
▶ cable type	H05VV-F 3G1,50mm ²
▶ cable outer diameter	8,5 mm
▶ cable colour	Black

▶ cable size (mm ²)	1,50
▶ cable material	PVC
▶	
▶ weight (kg)	0.270
▶ packaging	
▶ plug approvals	CEBEC, DEMKO, FIMKO, OVE, UTE, VDE, SEMKO, NEMKO, KEMA, IMQ
▶ connector approvals	KEMA
▶	
▶	
▶ marking	
▶ Last modification	2009-04-09