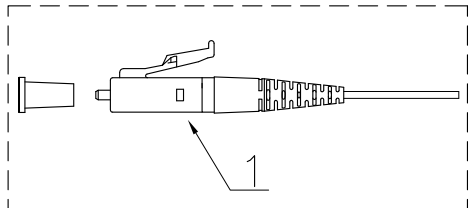
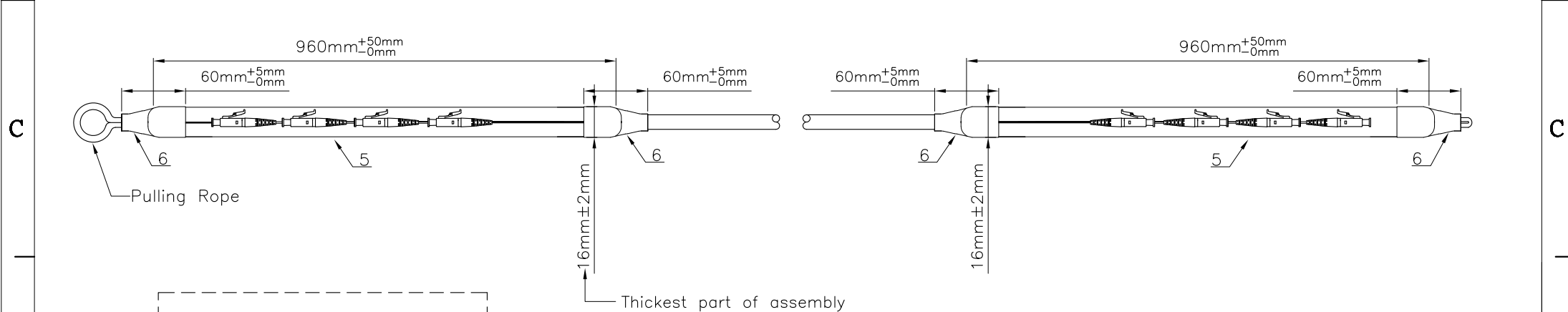


- 01 Blue
- 02 Orange
- 03 Green
- 04 Brown
- 05 Gray
- 06 White
- 07 Red
- 08 Black

- 01 Blue
- 02 Orange
- 03 Green
- 04 Brown
- 05 Gray
- 06 White
- 07 Red
- 08 Black



LC Connector (SCALE 1/1)

GENERAL TOLERANCE OF DIMENSIONS X.XXX ±0.1 X.XX ±0.2 X.X ±0.3	DRAWING	09.NOV.2022	YMN	ACT
	CHECK	09.NOV.2022	DAY	
	APPROVAL	09.NOV.2022	FRANK	
	DATE		NAME	ITEM NO.:
SCALE	1/3 (A4)	UNIT	mm	DES.: Indoor&Outdoor Cable 8C SMG657A2 8xLC to 8xLC 900um buffer
HSF Spec.		DRAWING NO.	Indoor&Outdoor Cable 8C SMG657A2 8xLC to 8xLC 900um buffer(S11)	
RoHS		DRAWING CLASSIFICATION	S	SHEET

1

2

3

4

5

6

Specification:

1. LC UPC Connector :

Mode	Ferrule	Housing	Boot	Cap
SM Low Loss	Zirconia(Ø1.25mm)	Blue(PC)	White(TPV)	White(PE)

2. Cable Type:

- 2-1. 8C Ø7.0mm Indoor/Outdoor Cable with 900um Tight Buffer , UV Resistance.
EN 50575: 2014+A1: 2016 CPR Dca-s2, d2, a3
- 2-2. Ø0.9mm Jacket for 8 Colors.

Category	Jacket O.D.	Jacket Material	Color
G.657A2(9/125um)	Ø7.0mm	LSZH	Black

3. Heat Shrink Tubing Length : 60mm

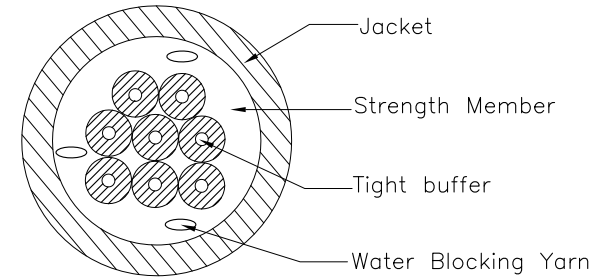
4. Length : x Meter

5. Protective Tube : Transparent, 12x15mm, PVC Material.

6. Heat Shrink Tubing Length : 60mm

Performance:

- a. Insertion Loss : Typical 0.1dB, Max. < 0.15dB
- b. Return Loss : UPC>55dB
- c. Insertion Loss will be Increased after 500 mating: 0.2 dB Max
- d. Operating Temperature: -20°C to +70°C
- e. Storage Temperature: -40°C to +80°C



Cable Section (SCALE 5/1)

GENERAL TOLERANCE OF DIMENSIONS	DRAWING	09.NOV.2022	YMN	ACT	
	CHECK	09.NOV.2022	DAY		
	APPROVAL	09.NOV.2022	FRANK		
x.xxx ±0.1 x.xx ±0.2 x.x ±0.3		DATE	NAME	ITEM NO.:	
HSF Spec.	SCALE	1/1 (A4)	UNIT	mm	DES.: Indoor&Outdoor Cable 8C SMG657A2 8xLC to 8xLC 900um buffer
RoHS		DRAWING NO.	Indoor&Outdoor Cable 8C SMG657A2 8xLC to 8xLC 900um buffer(S11)		
		DRAWING CLASSIFICATION	S	SHEET	2 OF 3

1

2

0

3

4

10cm

5

6

1

2

3

4

5

6

A

Standard compliance:

- IEC 61754-20 Fibre optic connector interfaces – Type LC connector family
- IEC 61300-3-47 Examinations and measurements – End face geometry of PC/APC spherically polished ferrules using interferometry
- IEC 60794-2-20 Indoor cables – Family specification for multi-fibre optical cables
- IEC 60794-1-2 Basic optical cable test procedures
- IEC 60332-1-2 Test for vertical flame propagation for a single insulated wire or cable
- IEC 60754-1 Determination of the halogen acid gas content
- IEC 60754-2 Determination of acidity (by pH measurement) and conductivity
- IEC 61034-2 Measurement of smoke density of cables burning under defined conditions
- EN 50575: 2014+A1: 2016 Power, control and communication cables – Cables for general applications in construction works subject to reaction to fire requirements

Cable Pulling Tensile Force Max. 350N.

Acc'y: 2 pieces M20 cable gland, fits cable o.d. 8-14mm

Package:

Bag pack when cable length <120M
 Reel pack when cable length >=120M, ref. below table.

8C	Reel Weight	Reel Dimension
120M	1.7KG	H327mm x ϕ 345mm
121-200M	2KG	H327mm x ϕ 400mm
201-250M	2.8KG	H330mm x ϕ 450mm
251M up	3KG	H330mm x ϕ 480mm

B

C

D

GENERAL TOLERANCE OF DIMENSIONS x.xxx ±0.1 x.xx ±0.2 x.x ±0.3	DRAWING	09.NOV.2022	YMN	ACT	
	CHECK	09.NOV.2022	DAY		
	APPROVAL	09.NOV.2022	FRANK		
	DATE	NAME		ITEM NO.:	
HSF Spec.	SCALE	1/1 (A4)	UNIT	mm	DES.: Indoor&Outdoor Cable 8C SMG657A2 8xLC to 8xLC 900um buffer
RoHS		DRAWING NO.	Indoor&Outdoor Cable 8C SMG657A2 8xLC to 8xLC 900um buffer(S11)		
		DRAWING CLASSIFICATION	S	SHEET	3 OF 3

1

2

0

3

4

10cm

5

6