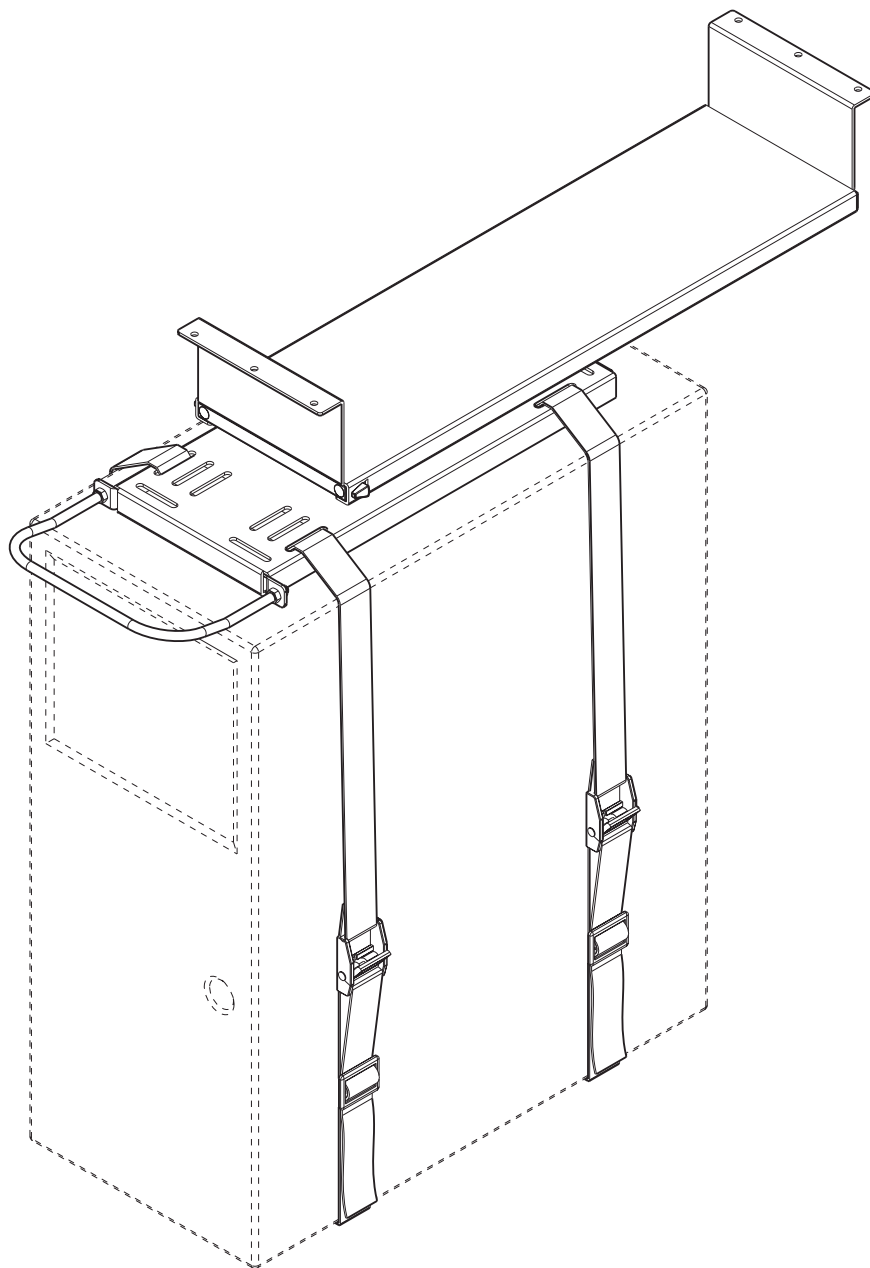


NewStar user's Manual

CPU HOLDER CPU-D050BLACK/SILVER



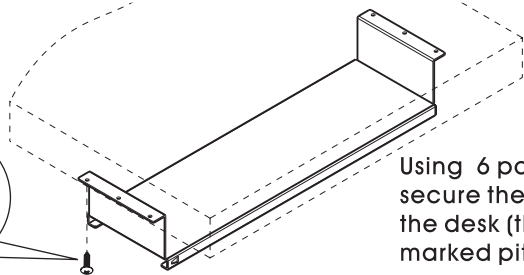
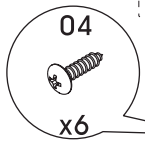
NEWSTAR
computerproducts

www.NewStar.nl

Phone: + 31 (0) 23 547 88 88

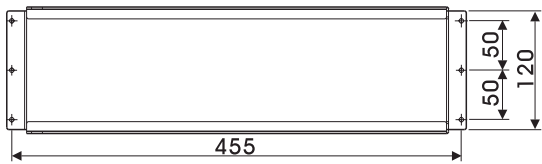
Assembly Guide

1

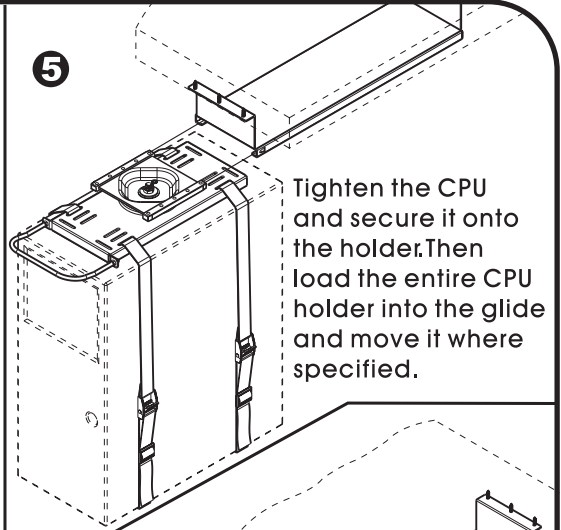


Using 6 pcs screws to secure the glide under the desk (the hole as marked pitch sign).

Make 6 hole signs under the desk for the site you want to set up. (pitch as right figure)

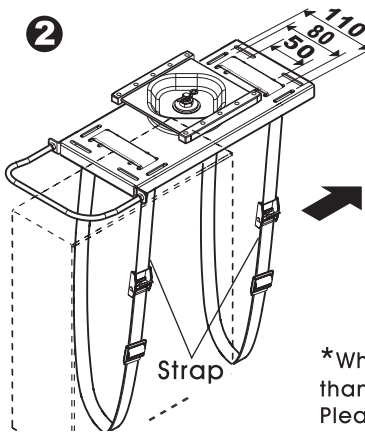


5

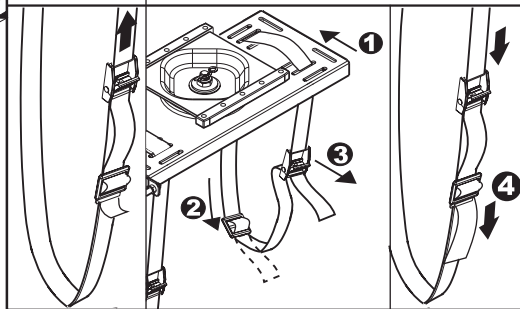


Tighten the CPU and secure it onto the holder. Then load the entire CPU holder into the glide and move it where specified.

2



Extraction Insert as shown in Steps 1, 2, 3, and 4



*When the width of CPU is smaller than 130mm, Please adjust the straps (Adjustable range 110.80.50mm)

Fig a.

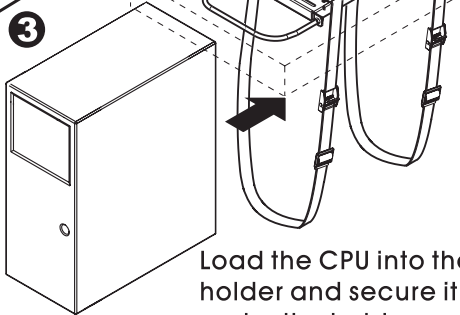
*Adjust the strap based on the size and location of the CPU. (Please follow the steps given in Fig. a, when completed, it would appear as in the upper left figure.)

Note: Please do not do any adjustment, when the width of CPU is 130mm.

Figure a. Operation

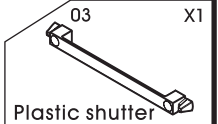
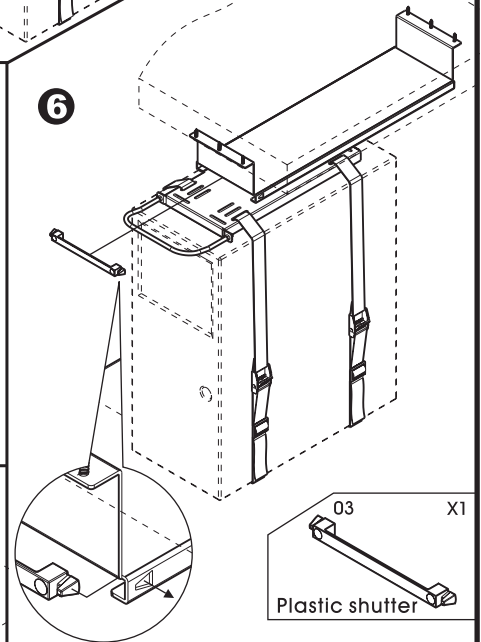
*Completely loosen the loaded strap.

1. After loosening it, pass it through the sized rated for CPU.
2. Then load in the "metal ring".
3. Then pass it through the "beltlock".
4. Finally load the end of the strap into the "metal ring" and tighten it to complete the process.



Load the CPU into the holder and secure it under the holder.

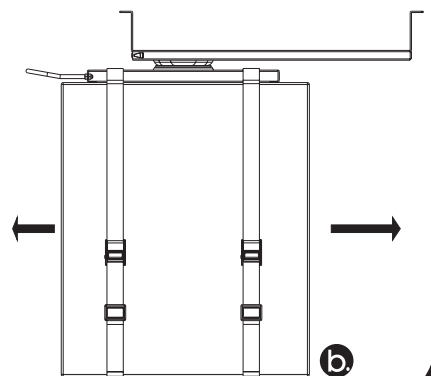
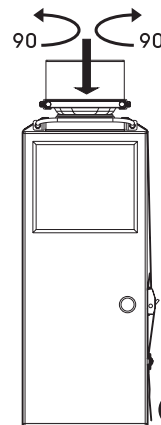
6



Next, load in the plastic shutter to keep the CPU holder from derailing.
Note: Load in the plastic shutter after aligning both sides (as shown in the large figure given above)

7

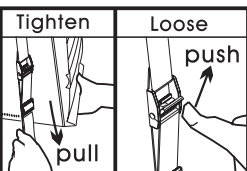
Turn the CPU holder right or left 90° and push it to the end of the side (as the figure a.). At this time, the CPU holder is free to move forward/backward as necessary. (as the figure b.)



a.

b.

4



Adjust the strap length :
a. Support one side of the CPU and pull the strap down.
b. Support another side of the CPU and adjust it.
c. Repeat "a"~"b" procedure till the top of the CPU.
d. Before adjusting the fastener or loosen the strap, support one side of

the CPU.

- *Do not move over-high when supporting a CPU.
- *When loosen the fastener, support the CPU during the whole adjustment.

*Before assembly, please spend some times to read this and follow the procedures step by step.

*Some panels are viewed differently from the detail drawing below. This is for extra clarity.

*Do not discard any of the packaging until you have checked all the parts and the package of fittings. If you are missing any of the parts, please contact the store where you purchased your products. The staff will do their best to help you.

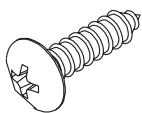
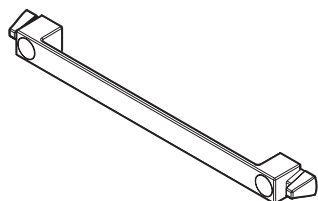
Parts Check-List

01 Glide ----- X1

02 Holder ----- X1

Fitting Check-List

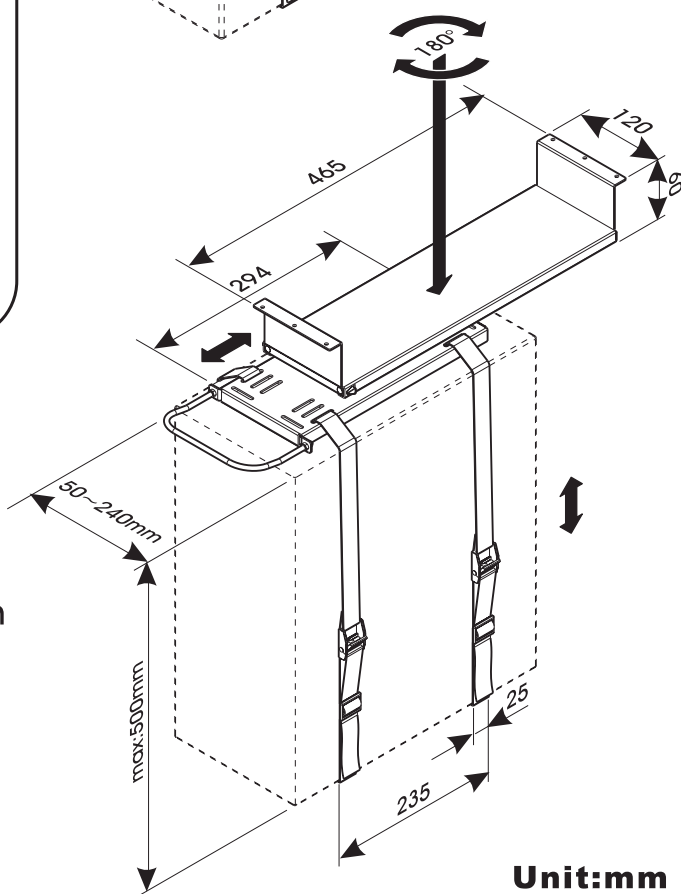
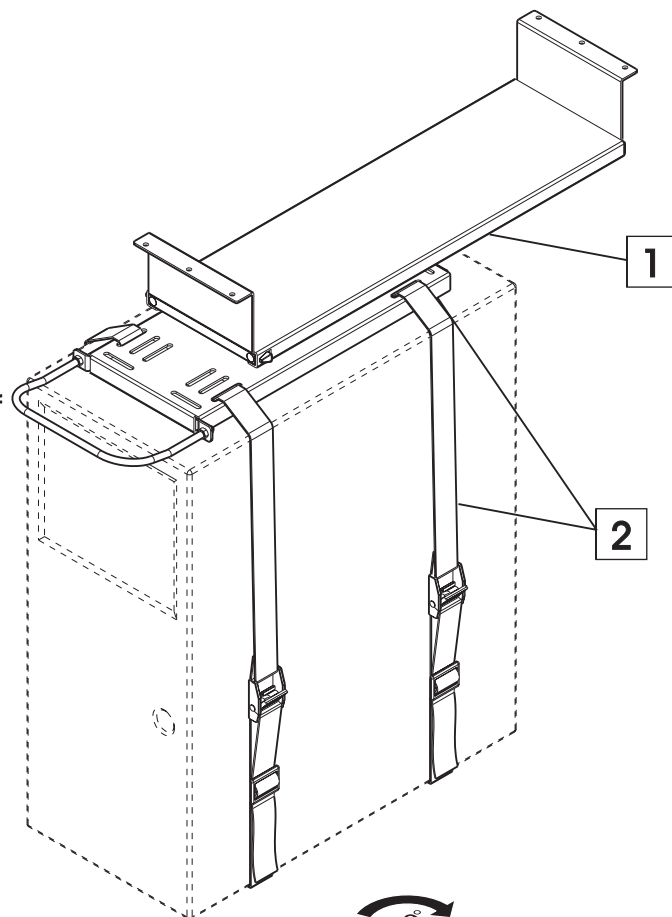
03 Plastic shutter X1 04 Screw X6



- * Glide extend +/- 140 mm forward or Backward.
- * Swivel device rotate +/- 180 degrees clockwise or counter clockwise.
- * Ergonomic handle for adjusting easily.
- * Support CPU with two high tensile-strength strap length 1680 mm.
- * strap accommodate CPU height in

variety:

- *CPU width at 50 mm~240mm maximum
- Height at 500 mm.



Unit:mm

Caution:

Regular cleaning with a clean dry cloth is usually sufficient, but for stubborn marks, wipe over gently with a clean damp cloth. Never use strong detergents or abrasive cleaners as these may damage the surface finish of your furniture. There are many small components used in the construction of this unit. These loose items should be kept away from young children while assembling your unit.