

Features and Benefits

The Synergy product line is an industrially designed family of wallplates, surface blocks and modular furniture outlets with sleek rounded contours that offer an aesthetically pleasing style for even the most contemporary office atmospheres.

Synergy Copper Surface Blocks are ideal for use in a confined space. Surface Blocks provide the option of either side or base entry of cables with internal cable management and are mounted using screws. Location designation is clearly visible from the top of these surface blocks with label and clear cover. The 6 port Synergy Block comes with rigid metal plate which allows for use as consolidation point enclosure.

- Utilize DataGate C5e UTP, Cat 6 UTP, Cat 6A shielded copper jacks and single-position copper modules
- Contemporary styling
- Rear loading modules to reduce tampering
- Slotted screw holes for easy alignment and removal
- Concise labeling
- Clear label covers to prevent misplacement
- MIIM terminator cap compatible

Commerical Standards

Pending Approvals
UL 1863

Technical Information

Mechanical Characteristics

Material

Surface Block: Thermoplastic UL94V-0

6 Port CP Plate: Zinc plated cold rolled steel

Dimensions

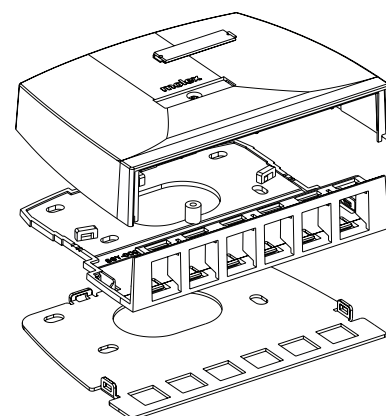
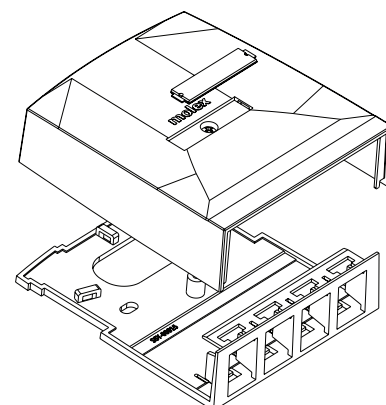
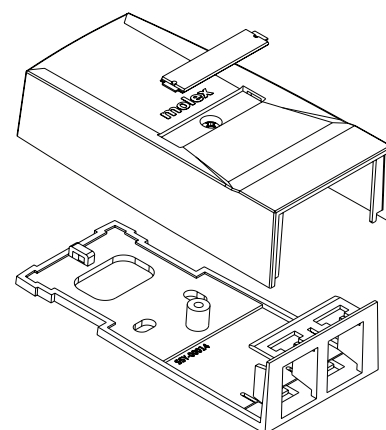
2 Port: 29.5mm x 56.7mm x 114.3mm

4 Port: 29.5mm x 100.6mm x 114.3mm

6 Port: 29.5mm x 148.6mm x 114.3mm

Parts List

- Surface Block
- Clear label holder
- Write-on label sheet
- Mounting screws
- Assembly instructions



ORDERING INFORMATION

Order No.	SAP No.	Description
SSY-00014-**	Contact Molex	Synergy Copper Surface Block, 2 Port
SSY-00015-**	Contact Molex	Synergy Copper Surface Block, 4 Port
SSY-00016-**	Contact Molex	Synergy Copper Surface Block , 6 Port

Insert color code in place of **in part number when ordering. 01 = Almond, 02 = White, 05 = Ivory

MOLEX PREMISE NETWORKS

Americas
Tel: 630 969 4550
www.molexpn.com

EMEA
Tel: 44 (0)2392 205800
www.molexpn.co.uk

APAC
Tel: 61 3 9971 7111
www.molexpn.com.au