



PowerCat 6 DIN 49075 Module

Features and Benefits

The PowerCat 6 DIN module is designed for compatibility with the 50 x 50mm DIN 49075 standard. The product is a fully assembled unit featuring the shuttered DataGate Plus™ connector. The angled design reduces patch cord bend radius and features a protected labelling facility. Individual ports may be colour coded using a connector icon label, for site-specific network administration. The PowerCat 6 DIN module is available as a single or double port product and is supplied with a grid-plate.

The module features the DataGate Plus Category 6 connector. This superior RJ45 IDC includes a unique integral shutter that not only protects the connector from dust and contaminants, but the ingenious spring-loaded design also ejects improperly seated patch cords. The DataGate Plus connector is dual colour coded for either 568A or 568B wiring schedules and is RJ11 compatible.

Suitable for high-speed data transmission, the DataGate Plus Category 6 connector has been designed to exceed the highest electrical performance standards in the industry and has been independently tested and verified by ETL SEMKO for Category 6 component compliance. The DataGate Plus connector is also backward compatible with CSE systems.

- DIN 49075 compatible
- Shuttered RJ45 DataGate Plus connector
- Protected labelling facility
- Angled fascia
- 1 and 2 Port versions

Compliant with
TIA/EIA 568B 2.1, FCC subpart F68.5, ISO 60603-7,
ISO 11801:2002, EN50173:2002

Approvals
UL-1863 (Pending).
CSA (Pending).
ETL Verified for Category 6 Component Compliance.

Technical Information

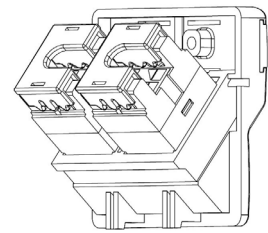
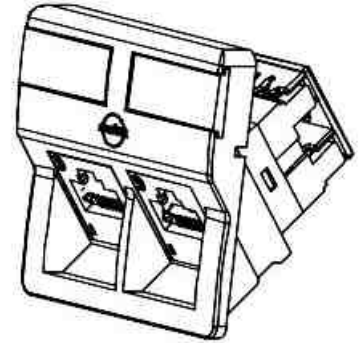
Mechanical Characteristics

Jack Connector
Plastic Housing: Polycarbonate, UL94V-0 rated or equivalent
Operating Life: Min. 750 insertion cycles
Contact Material: Copper Alloy
Contact Plating: 1.27 micrometres Au/Ni
Contact Force: 100g minimum
Plug Retention Force: 6.8kg

IDC Connector
Plastic Housing: Polycarbonate, UL94V-0 rated or equivalent
Operating Life: Min. 20 Reterminations
Contact Material: Copper Alloy
IDC Contact Plating: Tin/Lead Plate
Contact Force: 100g minimum
Wire Accommodation: 22-24 AWG solid

Electrical Characteristics
Interface Resistance: <20mΩ
Initial Resistance Imbalance: <2.5mΩ
Insulation Resistance: >100MΩ

Minimum backbox depth requirement: 40mm
Termination Tool: 110
Shipping weight: 638g (pack of 10)



Order No.	Description
WNC-00030-02	DIN Module 1 Port DataGate Plus RJ45 568A/B UTP C6 White
WNC-00030-06	DIN Module 1 Port DataGate Plus RJ45 568A/B UTP C6 Almond
WNC-00031-02	DIN Module 2 Port DataGate Plus RJ45 568A/B UTP C6 White
WNC-00031-06	DIN Module 2 Port DataGate Plus RJ45 568A/B UTP C6 Almond
CSP-00021-**	Connector icon labels

** Colour Options: 01=Almond, 02=White, 04=Black, 05=Ivory, 08=Grey, BL=Blue, GR=Green, PP=Purple, RD=Red, RG=Orange, YL=Yellow



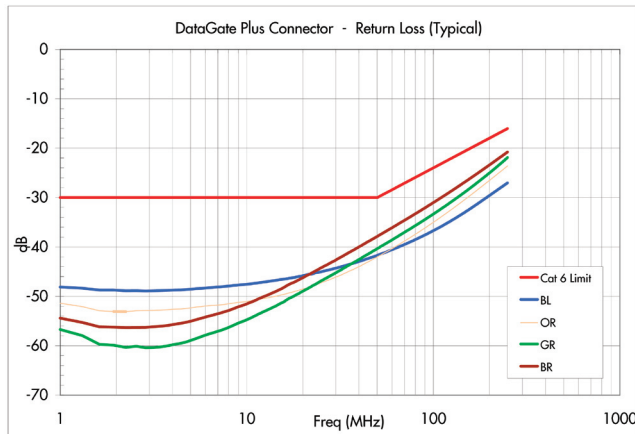
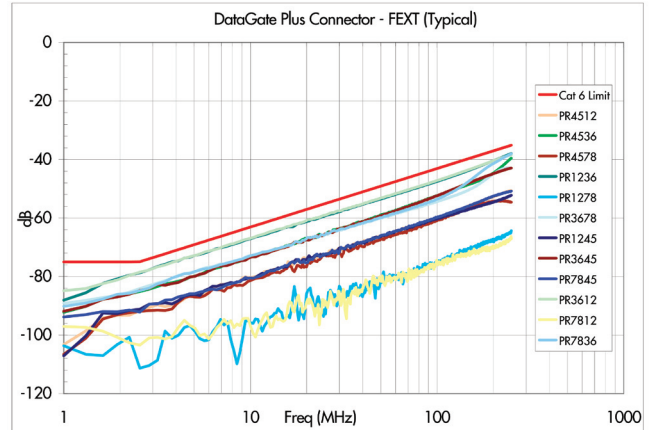
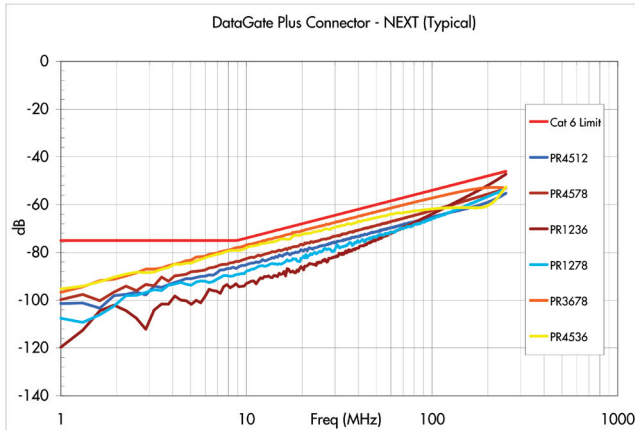
MOLEX PREMISE NETWORKS

Molex Premise Networks
Corporate Headquarters
Tel: 1 866 733 6659
www.molexpn.com
European

Headquarters
Tel: 44 (0) 1489 572111
www.molexpn.co.uk
Pac Rim

Headquarters
Tel: 61 3 9971 7111
www.molexpn.com.au
Molex

Incorporated
Tel: 630 969 4550
www.molex.com



DataGate Plus Worst Case (dB)									
Frequency (MHz)	NEXT		FEXT		Return Loss		Insertion Loss		
	SPEC	MOLEX	SPEC	MOLEX	SPEC	MOLEX	SPEC	MOLEX	
1	-75.0	-95.3	-75.0	-84.9	-30.0	-48.1	-0.10	-0.02	
4	-75.0	-85.3	-71.1	-75.0	-30.0	-48.8	-0.10	-0.02	
8	-75.0	-79.1	-65.0	-68.9	-30.0	-47.9	-0.10	-0.02	
10	-56.1	-77.2	-63.1	-67.1	-30.0	-46.7	-0.10	-0.02	
16	-69.9	-73.0	-59.0	-62.9	-30.0	-43.1	-0.10	-0.02	
20	-68.0	-70.8	-57.1	-60.8	-30.0	-41.3	-0.10	-0.02	
25	-66.0	-68.9	-55.1	-59.1	-30.0	-39.3	-0.10	-0.02	
31.25	-64.1	-67.2	-53.2	-57.2	-30.0	-37.4	-0.11	-0.02	
62.5	-58.1	-61.1	-47.2	-51.4	-28.0	-31.2	-0.16	-0.03	
100	-54.0	-57.3	-43.1	-47.2	-24.0	-26.9	-0.20	-0.05	
200	-48.0	-50.7	-37.1	-40.5	-18.0	-20.2	-0.28	-0.07	
250	-46.0	-48.7	-35.1	-38.0	-16.0	-18.2	-0.32	-0.09	

NOTE:
Performance values shown in dB.
For NEXT, FEXT and Return Loss: the higher the negative value the better the performance (e.g. -73.0 better than -69.9)
For Insertion Loss: the lower the negative value the better the performance (e.g. -0.02 better than -0.10)

MOLEX PREMISE NETWORKS

**Molex Premise Networks
Corporate Headquarters**
Tel: 1 866 733 6659
www.molexpn.com
European

Headquarters
Tel: 44 (0) 1489 572111
www.molexpn.co.uk
Pac Rim

Headquarters
Tel: 61 3 9971 7111
www.molexpn.com.au
Molex

Incorporated
Tel: 630 969 4550
www.molex.com

