



BC6ANBTL

CAT6A UTP tooless RJ45 modular jack



DESCRIPTIONS

The BC6ANBTL is a CAT6A UTP tooless RJ45 modular jack answering to the CAT6A performances and supporting the 10 Gbps thanks to the followings characteristics :

- Tooless termination through a wiring cap equipped with a separator in order to facilitate the wire management and to reduce the unsplitting length
- Component certified
- Very compact connector with a depth of 28.25mm : compatible with a big part of the faceplates and wall boxes
- Optimized printed circuit to improve high frequencies crosstalk performance
- Equipped with a translucent wire cap to allow an easy visual inspection
- Keystone type
- Two wings linked to the connector's body (no loose part) offer a simple and easy locking system
- Dust shutter (optional) available in different color (green, red, yellow, blue and white)

PERFORMANCES

CONNECTOR	SYSTEM
IEC 60603-7-5 CAT6A	TIA 568-C.2 CAT6a
FCC Part 68 subpart F	ISO 11801 Ed2.2 Class Ea
TIA 570-B	EN 50173-1
UL 18663	IEEE 802.3af & at (PoE / PoEP)

TECHNICAL PROPERTIES

IDC	Bronze + Platine / Cu + SnPb 80µ
Solid and flexible conductor	From AWG26 to AWG23
Maximum insulation diameter	1.3 mm
Maximum cable diameter	9.1mm
Contact	Bronze, Platine Ni and Au 1.2µm



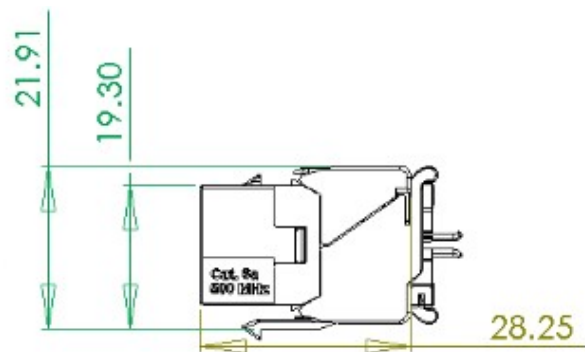
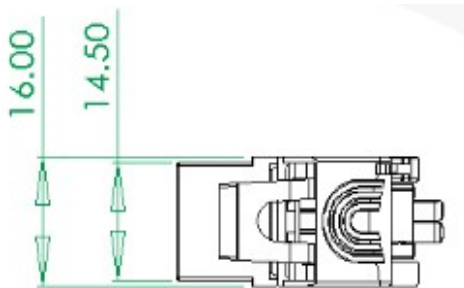
BC6ANBTL

CAT6A UTP tooless RJ45 modular jack

ELECTRICAL PROPERTIES

Contact Resistance	< 20 mΩ IEC 60512-2-1 Test 2a
Input/Output resistance	< 200mΩ IEC 60512-2-1 Test 2a
Insulation resistance	> 500MΩ @100V DC IEC 60512-3-1 Test 3a
Voltage	> 1000V DC contact to contact (IEC 60512-4-1 Test 4a Method A)
Insertion cycle	> 1000
Operating voltage	< 72V DC
Power capacity	< 30W
Disturbance of vibration	< 10μs (3 axis) IEC 60512-4-1 Test 2e
Operating Temperature	-40°C to +70°C

3D DRAWINGS



RELATED PRODUCT

P/N	DESCRIPTION	PACKAGING
BCDUSTSHBL8	White dust shutter for BC and BCTL connectivity	8
BCDUSTSHB8	Blue dust shutter for BC and BCTL connectivity	8
BCDUSTSHR8	Red dust shutter for BC and BCTL connectivity	8
BCDUSTSHV8	Green dust shutter for BC and BCTL connectivity	8
BCDUSTSHY8	Yellow dust shutter for BC and BCTL connectivity	8

ORDERING INFORMATION

P/N	DESCRIPTION	PACKAGING
BC6ANBTL50	CAT6A UTP RJ45 tooless RJ45 modular jack	50