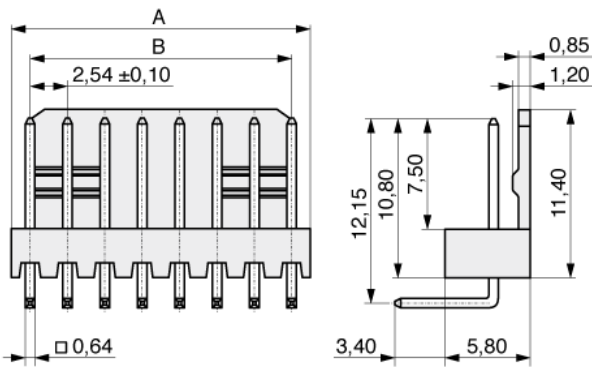


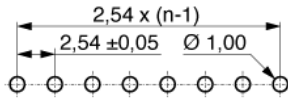
Pitch (mm)	2,54
Mating contact size	? 0,64
No of contacts	2
Polarising	Yes
Locking	Friction lock
Material contact	Copper alloy
Plating contact	Sn
Material insulator	High temp. thermoplast UL94V-0
Rated current	3,0 A
Rated voltage	150 V <sub>RMS</sub> / V <sub>DC</sub>
Withstand voltage	500 V <sub>RMS</sub> for 1 minute
Operating temperature	-25°C to +105°C
Max. processing temper.	240°C for 5 seconds
Packaging	Standard
A	5,08
B	2,54

Special Pinheaders for use with series 431 (BLC1-1290).

Right angled (parallel), top version.



Footprint



Date: 18.04.2011

**Order code: 428-3-002-0-T-KS0**



MPE Garry GmbH  
Schäfflerstraße 13  
87629 Füssen/Germany

Phone: +49 (0) 83 62 / 91 56-0  
Fax: +49 (0) 83 62 / 91 56-500  
Email: [vk@mpe-connector.de](mailto:vk@mpe-connector.de)

Internet: [http://www.mpe-connector.de/index.php?lang=en&menu=4&s\\_product=428-3-002-0-T-KS0](http://www.mpe-connector.de/index.php?lang=en&menu=4&s_product=428-3-002-0-T-KS0)