

Turned contacts turned crimp female contact for wire gauge 20 - 16

Part No. VN02 016 0026 1C



Series Contacts

11.11.2013

Subseries Contact Turned contacts

COMMON CHARACTERISTICS		
Wire gauge from		0,75
Wire gauge to		1,0
Wire gauge (AWG) from		20
Wire gauge (AWG) to		16
Packaging / supplied as		Single contact
No. of pieces		100
Sex of Contact		Socket
Type of contact		Turned crimp contact
CLIMATICAL CHARACTERISTICS		
Upper temperature		+ 125 °C
Lower temperatur		- 40 °C

Turned contacts turned crimp female contact for wire gauge 20 - 16

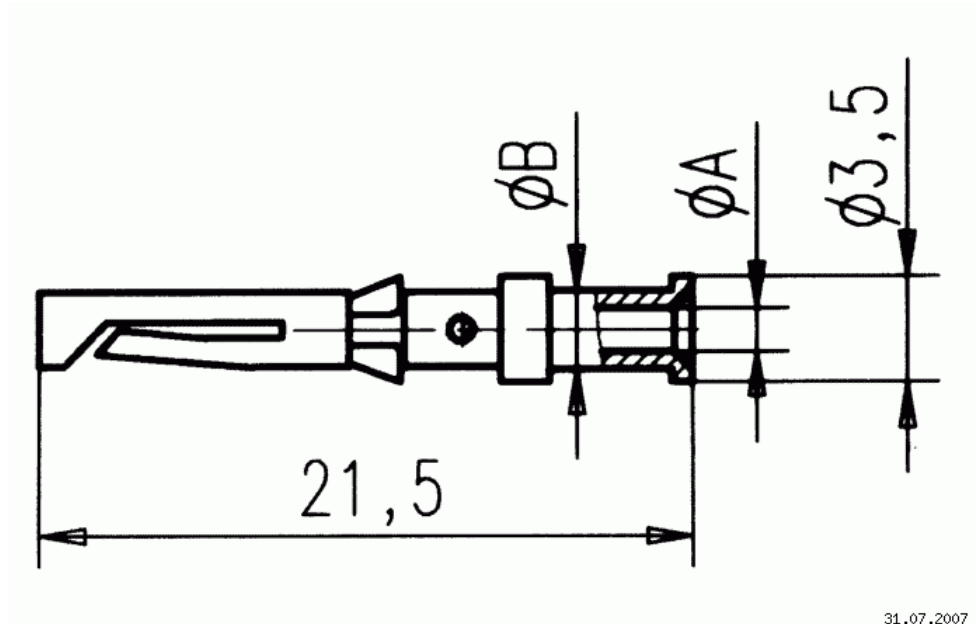
Part No. VN02 016 0026 1C

Series Contacts

Subseries Contact Turned contacts



11.11.2013



Drawing Dimensions in mm (Inch)

31.07.2007