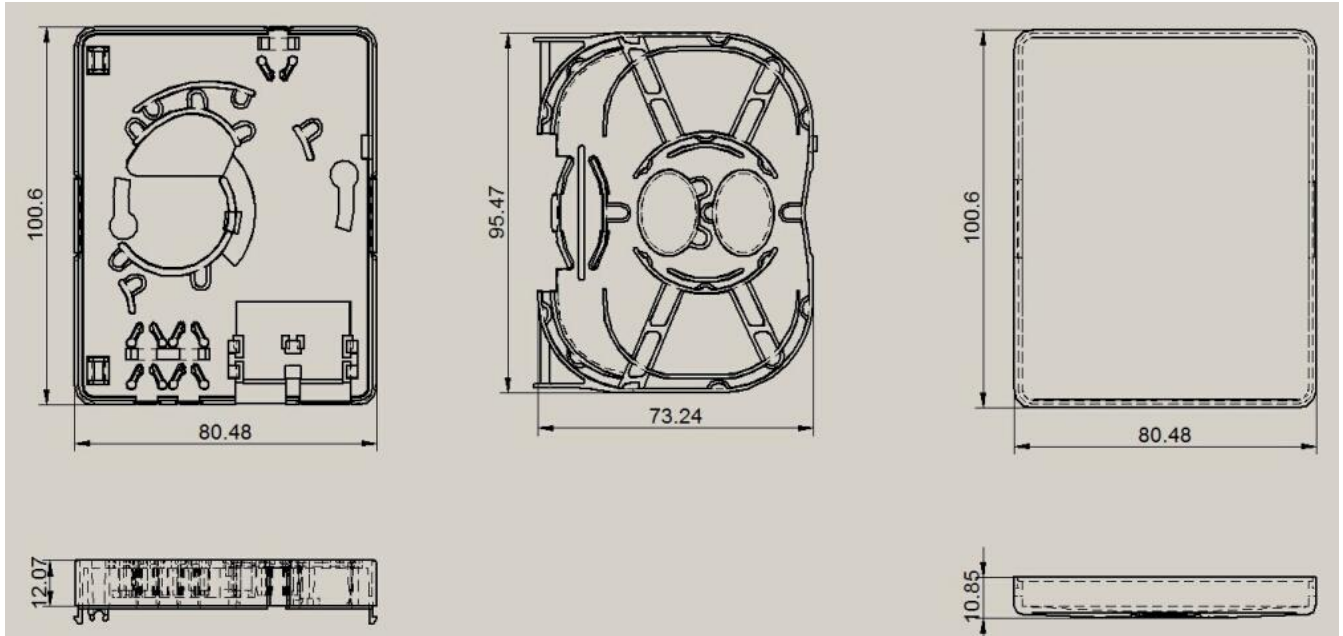


**Terminal box w/o adapter and pigtail**
**Drawing**

**Application**

- \*Widely used in FTTH access network
- \*Telecommunication networks
- \*CATV networks
- \*Data communication networks
- \*Local area Networks

**Features**

- \*Industry standard user interface, be made of high impact plastic
- \*Anti-UV, ultra violet resistant and rainfall resistant
- \*Can accommodate 1/2 SC/SX adapter or 1/2 LC/DX adapter
- \*Up to 2 FTTH drops
- \*Wall and pole mountable
- \*2 inlet ports, 2 outlet ports

**Specifications**

	Type	Size(mm)	N.W(kg/pc)	Material
	1, 2 port	100*80*23	0.565	ABS

