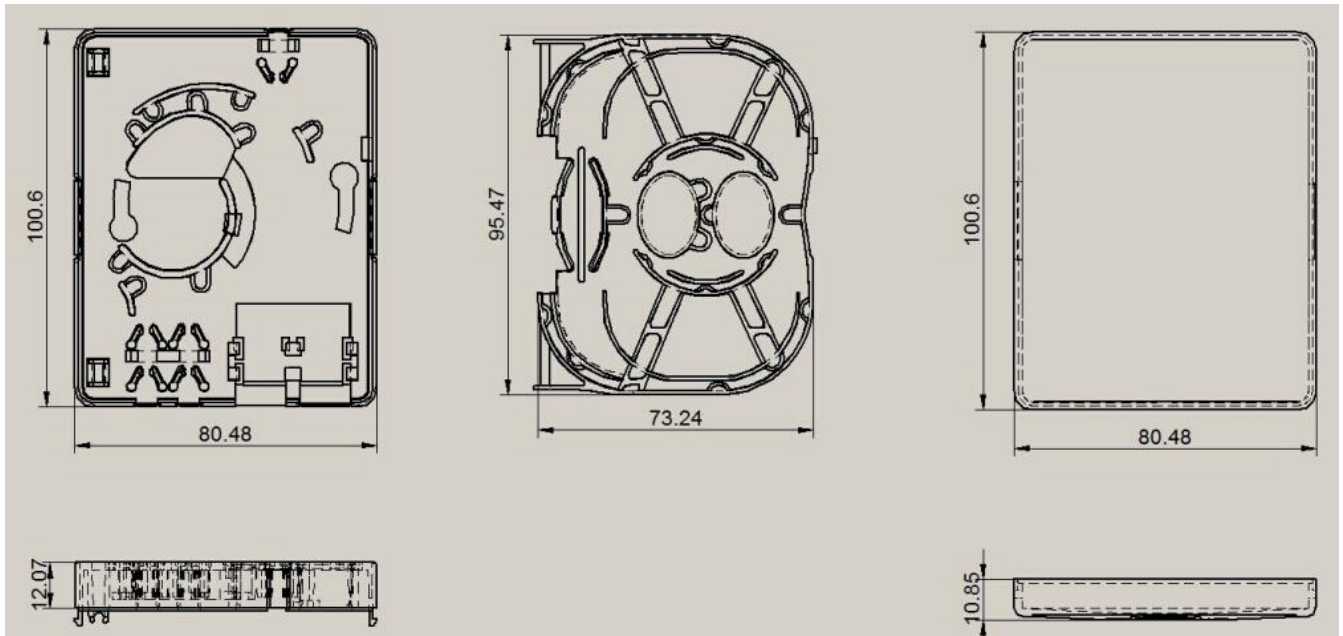


Terminal box with one SC/APC shutter adapter and pigtail

Drawing



Application

- *Widely used in FTTH access network
- *Telecommunication networks
- *CATV networks
- *Data communication networks
- *Local area Networks

Features

- *Industry standard user interface, be made of high impact plastic
- *Anti-UV, ultra violet resistant and rainfall resistant
- *Can accommodate 1/2 SC/SX adapter or 1/2 LC/DX adapter
- *Up to 2 FTTH drops
- *Wall and pole mountable
- *2 inlet ports, 2 outlet ports

Specifications

	Type	Size(mm)	N.W(kg/pc)	Material
	1, 2 port	100*80*23	0.565	ABS

