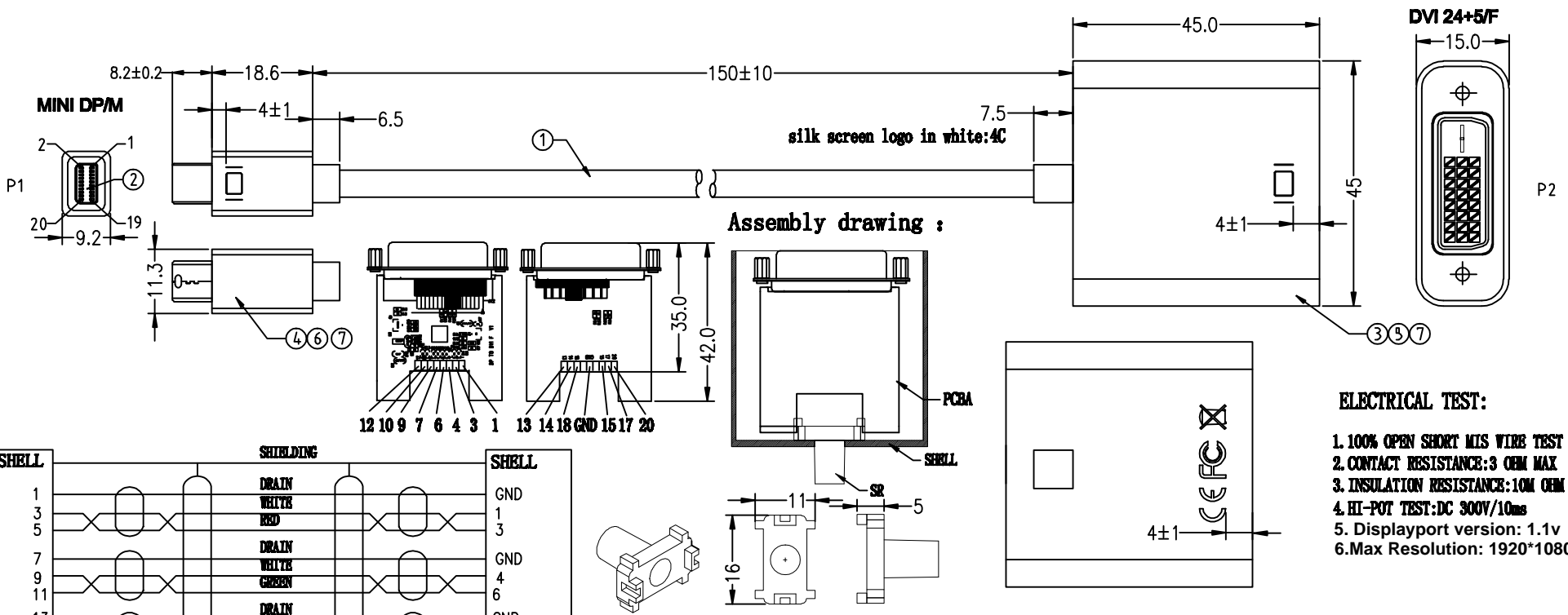


LTR	REV.	DESCRIPTION	DATE	APP'D
-----	------	-------------	------	-------

RoHS-COMPLIANT



P1 MINI DP M		SHIELDING	P2 DVI/F+PCB'A	
1	DRAIN		1	GND
3	WHITE		3	GND
5	RED		4	GND
7	DRAIN		6	GND
9	WHITE		7	GND
11	GREEN		9	GND
13	DRAIN		13	GND
15	WHITE		14	GND
17	BLUE		10	HND
19	GREEN		12	GND
2	PURPLE		15	GND
4	YELLOW		17	GND
6	WHITE		20	GND
8	DRAIN			
10	WHITE			
12	BLACK			
14	DRAIN			
16	WHITE			
18	BROWN			
20	RED			

NO.	NAME	SPEC	Q'TY	REMARK
7	MOLD	White 45P PVC		A/R
6	MOLD	LDPE, natural color		A/R
5	SHELL	DVI/F white pvc front cover shell	1	
		DVI/F white pvc shell	1	
4	SHELL	MINI DP/M white pvc front cover shell	1	
		MINI DP/M white pvc shell	1	
3	PLUG	DVI(24+1)/F:PIN G/F, white pvc core, Nickel plated shell, PCB'A(PS8121E)	1	
2	PLUG	MINI DP/M:PING/F, white pvc core, Nickel plated steel	1	
1	CABLE	UL20276 #32*5P+#32*5C+AEB, WHITE PVC JACKET, OD:5.0mm L=390mm	1	

- ELECTRICAL TEST:**
- 100% OPEN SHORT MIS WIRE TEST
 - CONTACT RESISTANCE:3 OHM MAX
 - INSULATION RESISTANCE:10M OHM MIN
 - HI-POT TEST:DC 300V/10ms
 - Displayport version: 1.1v
 - Max Resolution: 1920*1080P



ITEM: AK4001
MINI DP M TO DVI(24+1) F WHITE ADAPTER CABLE

C.T	C.T ITEM	Tol.	Inch	mm	UNIT	mm	DRAWING:	HUANG
		X.	.02	0.5	ANGLE	±'	CHECK 1:	
		X.X	.12	0.3	SCALE	NONE	CHECK 2:	
		X.XX	.008	0.2	FONT	NONE	CHECK 3:	
		X.XXX	.006	0.15	The third perspective		DATE	2015-09-23
		X.XXX	.006	0.15			VER.	A PAGE 1/1

