

ITEM	PART	DESCRIPTION
A + B	Connector type	DisplayPort male head hook
	Contacts	Gold plated
	Internal Mold	PE
	Hood	ABS
	Shield type	Aluminum Mylar
	Conductor material	Tinned Copper
	Locking	Snap-in
	PIN 20 connected	No
C	Cable colour	Black
	Outer jacket	PVC
	Wire gauge	30 AWG
	Outer diameter	Ø7.2 ±0.15mm
	Bend radius	50mm
	Temperature range	-20°C to +70°C (+5%)
	Humidity range	45% to 65%
	Max. bandwidth	21.6 Gb/s
	Video Specification	DisplayPort 1.2 (HBR2)
	Max. resolution @ 60Hz	3840 x 2160 (4K)
D	Protective cap	PE

Item No.	Length
AK3975	0.5m
AK3976	1.0m
AK3983	2.0m

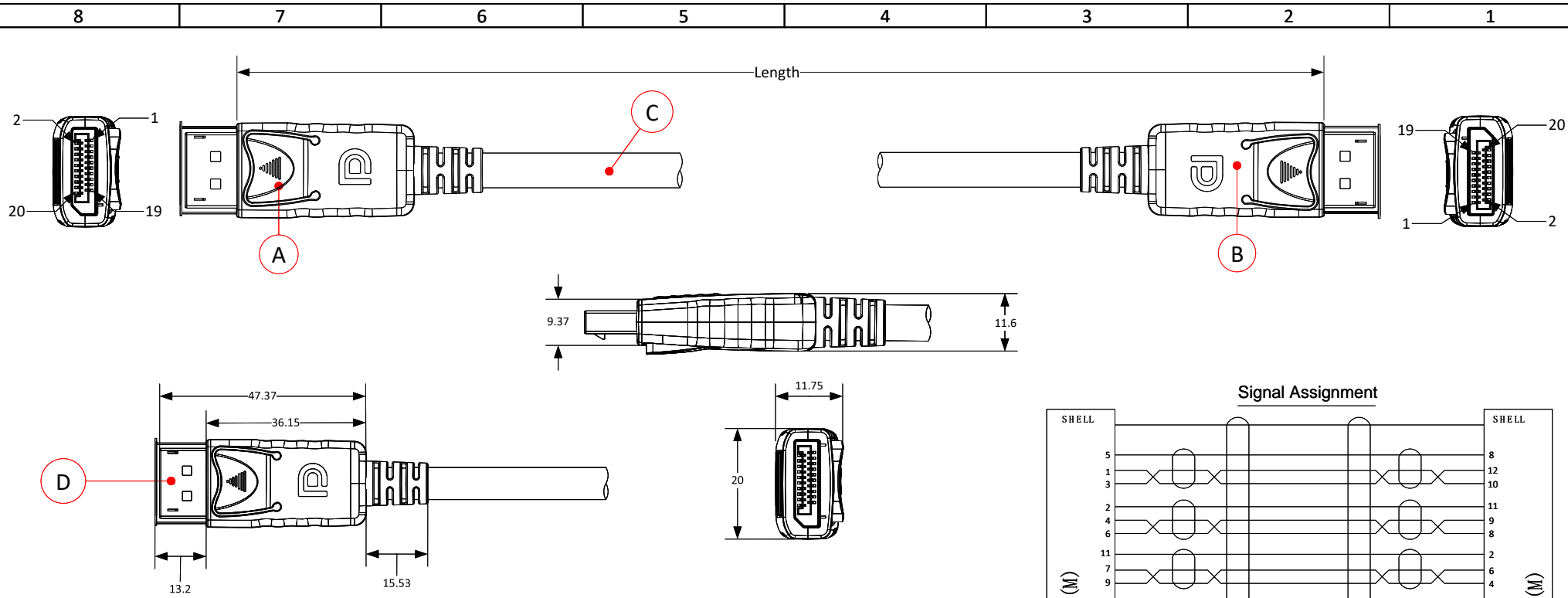
DisplayPort cable male - male, power pin 20 not connected

Item : AK39xx

Revision : 01-AA
Date : 23-10-2023


This drawing is proprietary information of ACT Connectivity Solutions and confidential and provided to you for internal use on a need to know basis only. This document may not be duplicated for or disseminated to any third party without the prior explicit written consent of ACT Connectivity Solutions. Copies of this document, Printed or electronic, are uncontrolled and intended only for immediate use.

Drawn by : EP



ITEM	PART	DESCRIPTION
A + B	Connector type	DisplayPort male head hook
	Contacts	Gold plated
	Internal Mold	PE
	Hood	ABS
	Shield type	Aluminum Mylar
	Conductor material	Tinned Copper
	Locking	Snap-in
	PIN 20 connected	No
C	Cable colour	Black
	Outer jacket	PVC
	Wire gauge	28 AWG
	Outer diameter	Ø7.3 ±0.15mm
	Bend radius	50mm
	Temperature range	-20°C to +70°C (+5%)
	Humidity range	45% to 65%
	Max. bandwidth	21.6 Gb/s
	Video Specification	DisplayPort 1.2 (HBR2)
	Max. resolution @ 60Hz	3840 x 2160 (4K)
D	Protective cap	PE

Item No.	Length
AK3984	3.0m
AK3986	5.0m



Drawn by : EP

DisplayPort cable male - male, power pin 20 not connected

Item : AK398x	Revision : 01-AA
Date : 21-11-2023	

This drawing is proprietary information of ACT Connectivity Solutions and confidential and provided to you for internal use on a need to know basis only. This document may not be duplicated for or disseminated to any third party without the prior explicit written consent of ACT Connectivity Solutions. Copies of this document, Printed or electronic, are uncontrolled and intended only for immediate use.