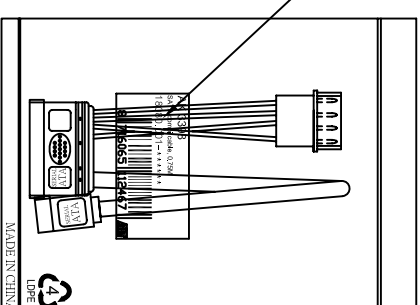
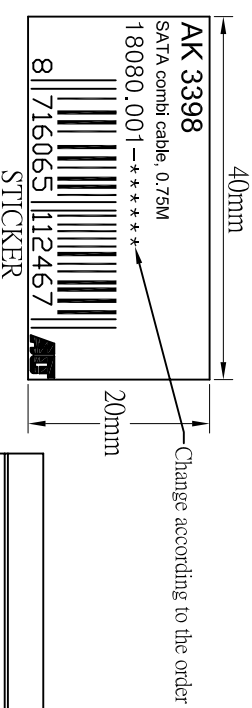


- NOTE:
1. CABLE:(A)UL1007,WIRE,18#*4C(BLACK/RED/YELLOW),COLOR,PVC JACKET (B)UL2725,(26#*2+AL+MY+D*2)*2F,OD=2.4*8.0mm,RED COLOR,PVC JACKET.
 2. LENGTH: 150mm/750mm.
 3. CONNECTORS:SERIAL ATA 15F*1PCS,(BLACK COLOR),4P HOUSING MALE*1PCS(WHITE COLOR) SERIAL ATA 7F*2PCS,(BLACK COLOR)
 4. MOLD: BLACK MOLDING/ASSEMBLY.
 5. CONTACTS:

(P1)4P HOUSING	1	2	3	4
(P2)SERIAL ATA 15F	1+2+3	4+5+6	10+11+12	7+8+9
	YELLOW	BLACK	BLACK	RED
(P3)SERIAL ATA 7F	2	3	5	6
				1+4+7
(P4)SERIAL ATA 7F	2	3	5	6
				DRAIN

6. OPEN/SHORT TEST: 100% TEST.
INSULATION: MIN. 5M.



RoHS Compliant

1PCS/PE BAG(0.06*100*200+STICKER

Company	I.B.V	Goods Code	Draw	FC001	WJF	Date	2009.10.13
ITEM NO.	AK 3398	Drawing Evidence:	Check			Date	
Goods NO.			Approval			Date	
Original NO.	S-*****	Unit(mm)				Date	



D		VER. A	REV1SF	Date
C		B	Adding packaging info	10.23h.04WJF