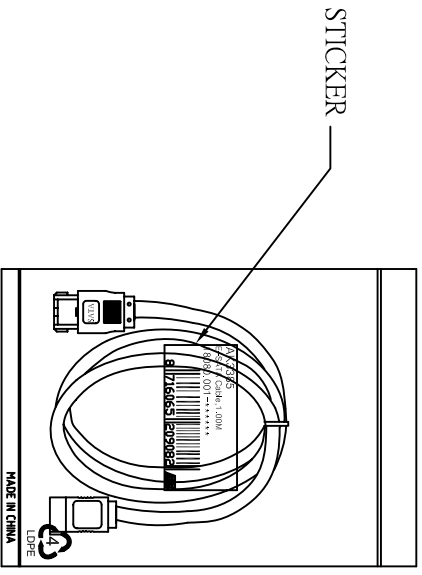


NOTE:

1. CABLE:UL2725,(26#+AL/MY+D)*2+AL, OD=2.4*8.0mm, BLACK COLOR,PVC JACKET.
2. LENGTH:1000mm
3. CONNECTORS:SATA 7M*1PCS,ESATA*1PCS,(BLACK COLOR)
4. MOLD:BLACK MOLDING
5. CONTACTS:

E SATA 7M	1+4+7	2	3	5	6
SATA 7M	1+4+7	2	3	5	6
6. OPEN/SHORT TEST: 100% TEST.
INSULATION: MIN. 5M.

RoHS Compliant



Company	I.B.V	Goods Code	Draw	FC001 WJF	Date	2009.10.13	D
ITEM NO.	AK 3385	Drawing Evidence	Check		Date		C
Goods NO.			Approval		Date		B
Original NO.	S-*****	Unit(mm)			Date		VER. A
							REVISE
							Date



1PCS/PE BAG(0.06*190*300mm)+STICKER