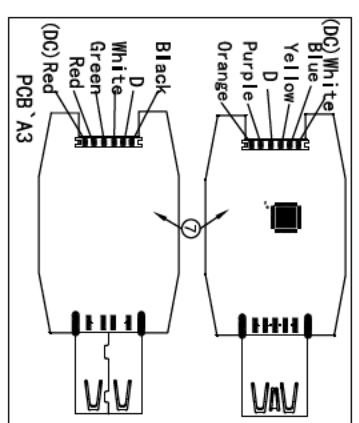
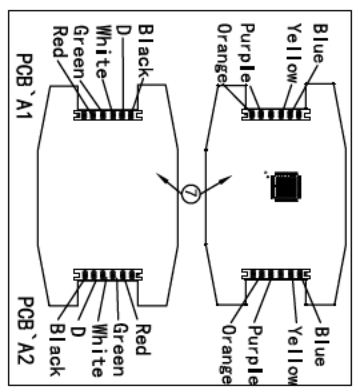
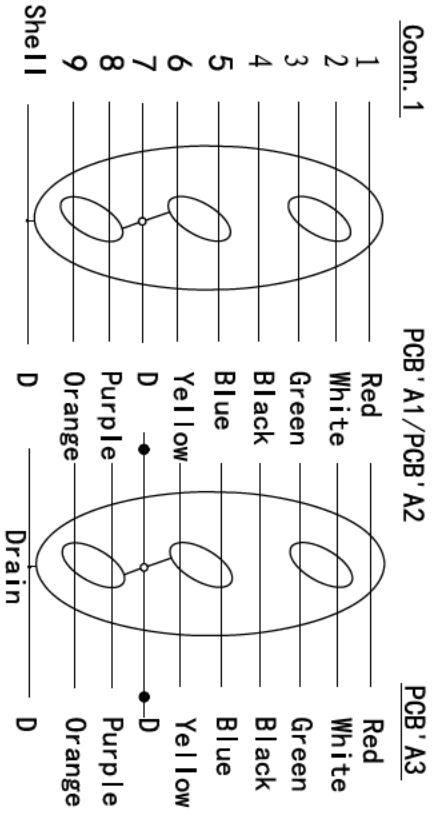


Pin Assignment



8	PCB 'A	Y-3018 ABS	pcs	2
7	PCB 'A	Y-3018 PCB 'A	pcs	2
6	CONNECTOR	USB3.0 ("A") Female Solder Type Insulation Color:BLUE Shell Nickel Plated	pcs	1
5	CONNECTOR	DC 3.5 Female, Gold Plated Pin	pcs	1
4	CABLE	UL2725 USB2.0 30AWG*2C+24AWG*1C+D+AL+B (16*/4/0.1TG) OD:2.8±0.15mm Jacket Color:BLACK	mm	110
3	OUTER MOLD	40P PVC COLOR :BLACK	g	27
2	CONNECTOR	USB3.0 ("A") Male Solder Type Insulation Color:BLUE Shell Nickel Plated	pcs	1
1	CABLE	UL2725 USB3.0 (1P*28#+D+AL+Mylar)*2C+28#+1P+22#+2C+AL+D+B (16/8/0.12 AL-MgAlloy) OD:6.0±0.15mm Jacket Color:BLACK	mm	5000*2
NO.	NAME	DESCRIPTION	UNIT	Q'TY

All materials with RoHS standard.



REV: A/0	ITEM NO: AC6110	DRAWN BY:
UNIT: mm	CUSTOMER:	CHECKED BY:
SCALE: NONE	DWG NO:	APPROVED BY:
	PART NO:	