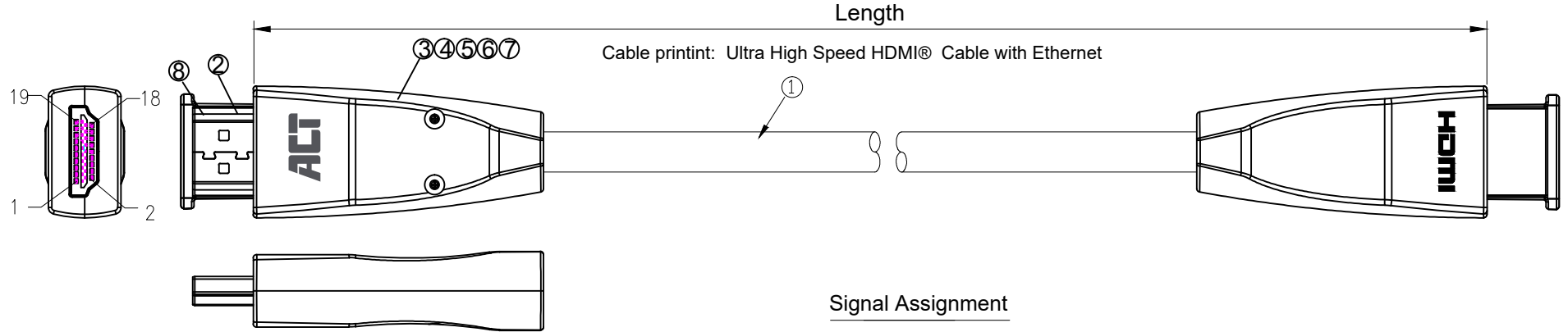
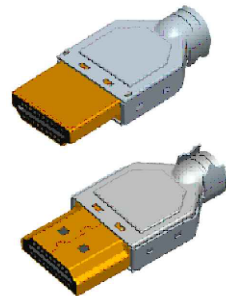


**ACT** Open/Short

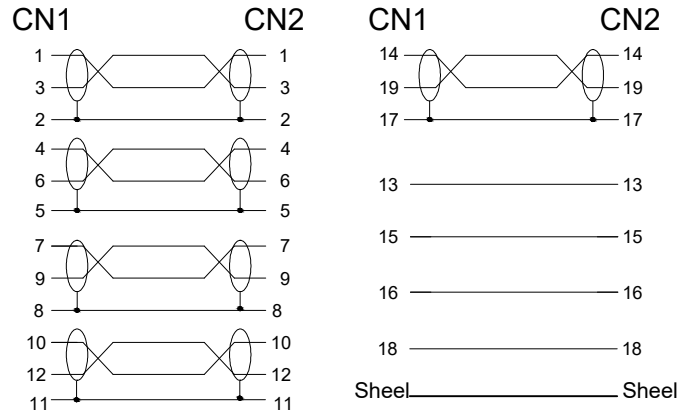
| REV. | REVISED DESCRIPTION | DATE       | CHECKED |
|------|---------------------|------------|---------|
| A0   | FIRST RELEASE       | 2020/03/27 |         |



Remark:  
 1.100% Open/Short Test  
 2.Conductive Resistance:10ohms MAX  
 3.Insulation Resistance:5M ohm MIN.  
 4.HI-POT:DC 300V/10MS.  
 5.The product is CE/RoHS compliant/Reach.  
 6.Resolution:8K@60Hz



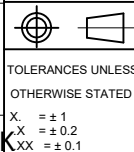
Signal Assignment



Remark:  
 1.100% Open/Short Test  
 2.Conductive Resistance:10ohms MAX  
 3.Insulation Resistance:5M ohm MIN.  
 4.HI-POT:DC 300V/10MS.  
 5.The product is RoHS compliant.  
 6.Support 1080P/3D/8K@60Hz

| Item NO. | Length(m) |
|----------|-----------|
| AC3909   | 2.0m      |

| ⑧    | HDMI Protective Cap, PE  | 2PCS |        |
|------|--|------|--------|
| ⑦    | Zinc alloy shell Zinc alloy,Dumb gun black   | 2PCS |        |
| ⑥    | Innernal Mold Inner Mould PE   |      |        |
| ⑤    | Copper Foil Double sided conductor Copper Foil W5xL30MM  | 2PCS |        |
| ④    | Shielding Shell Shielding Shell,tinplate   | 2PCS |        |
| ③    | Bracket Bracket PA66   | 2PCS |        |
| ②    | Connector HDMI A PLUG PIN, Gold-Plated   | 2PCS |        |
| ①    | Cable 30AWG 2.1V 30AWG(1/0.254BC x 1P + D1/0.254TC + AL-Foil + HM-Mylar) x 5C + 1/0.254BC x 4C + F + AL-foil + D1/0.254TC + 144/0.12AL, OD=7.3 Black PVC |      |        |
| ITEM | DESCRIPTIONS & SPECIFICATIONS  | QTY  | REMARK |



|               |  |                 |            |
|---------------|--|-----------------|------------|
| <b>ACT</b>    |  |                 |            |
| ERP NO.:      |  | SAMPLE DWG NO.: |            |
| DOC No.:      |  | REVISION        | A0         |
| CUSTOMER:     |  | UNIT            | mm         |
| CUSTOMER P/N: |  | SCALE           | NO         |
| DESCRIPTION   | HDMI2.1V 30AWG OD7.3mm 8K@60Hz with Can Shielding inside | PAGE NO         | 1/1        |
|               |  | DATE            | 2020/03/27 |
| APPROVAL      |  | CHECKED         |            |
|               |  | DRAWN           |            |