

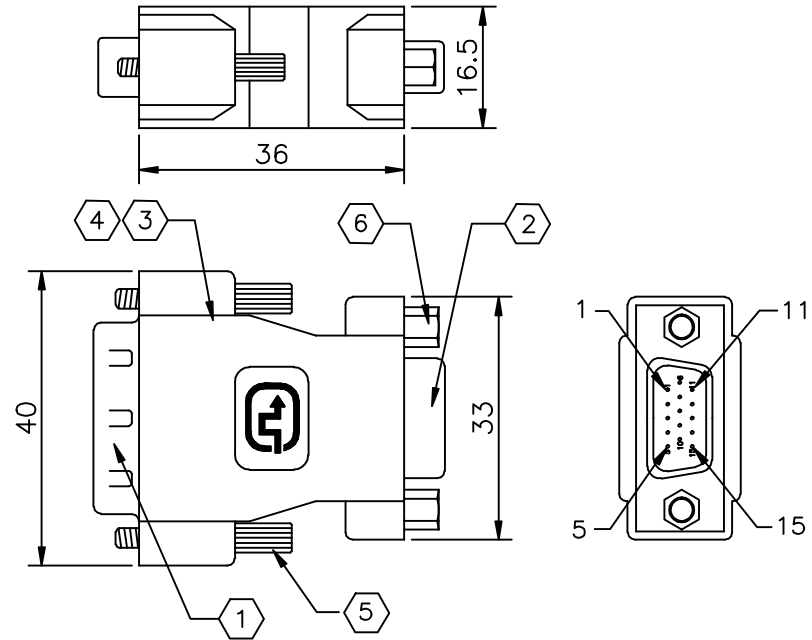
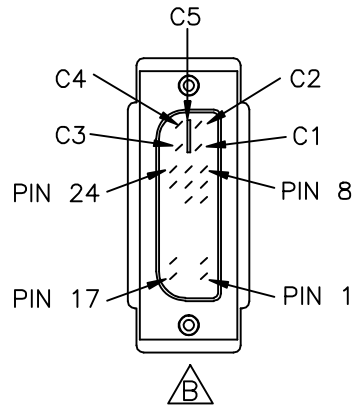
CUSTOMER'S APPROVAL: _____ DATE: _____
 FIRST ARTICLE SAMPLE REQUIRED: YES, NO.

NOTE:

1. THIS ITEM CONTAINS PAT. US 6,287,148 B1 RF-BLOK SHIELDING DESIGN.


PINOUT CONFIGURATION

DVI MALE	HD15 FEMALE
C1	1
C2	2
C3	3
C4	13
C5	6
	7
	8
14	9
16	
15	5
	10
7	12
8	14
6	15
SHELL	SHELL



UNIT: mm

ITEM	DESCRIPTION	QTY.	UNIT.
1	DVI MALE CONNECTOR (12+5)	1	PCS.
2	HD15 FEMALE CONNECTOR	1	PCS.
3	RF-BLOK	1	PCS.
4	PVC MOLDED BLUE PANTONE 2935U	1	PCS.
5	4/40 METAL T/S	2	PCS.
6	4/40 HEXNUT	2	PCS.

REV.	DESCRIPTION	DATE	REVISED BY	Customer's P/N:	Revision:	
A	CHANGE OUTER MOLD TO SHORT BODY	2004.02.23	SKL	AB 3750	B	
B	CHANGE DVI MALE CONNECTOR (24+5) TO (12+5)	2014.11.7	Y.CHENG	RFQ number:	Drawing	
				Drawn by: CANDY	Scale: None	
				Checked by:	Date: 08/02/2002	
				SALES: LILIAN		