

REV	DATE	MODIFICATION	DRAWN
	2010/08/02		

A

B

C

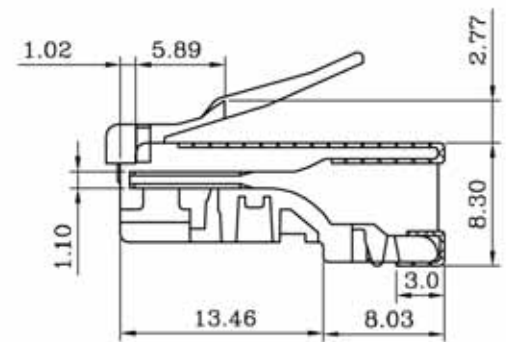
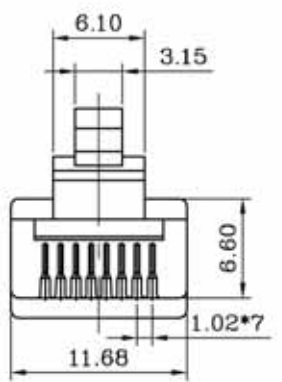
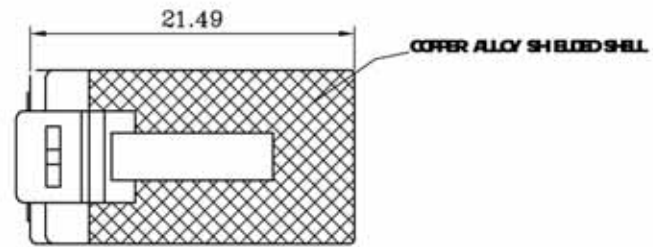
D

A

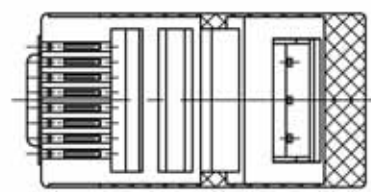
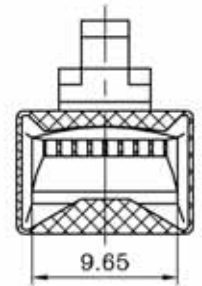
B

C

D



Round



SPECIFICATIONS

1.ELECTRICAL:

- UL APPLICATIONS: 250 VOLTS AC MAX., AT 2 AMPS.
- DIELECTRIC WITHSTANDING VOLTAGE : 500 VOLTS AC.
- INSULATION RESISTANCE: 100 M Ω.
- TERMINATION: RESISTANCE 20m Ω MAX AFTER ENVIRONMENTAL TESTING.

2.MECHANICAL:

- CABLE-TO-PLUG TENSILE STRENGTH : 20POUND MIN.
- DURABILITY : 200 MATING CYCLES.

3.MATERIAL & FINISH:

- HOUSING: POLYCARBONATE, UL94V-2 OR UL94V-0.
- COLOR: TRANSPARENT OR OTHER COLOR ARE AVAILABLE.
- CONTACT BLADE: COPPER ALLOY.
- CONDUCTOR : STRANDED & SOLID WIRE , 24AWG, 26 AWG.
(It can be used for the wire OD from 0.98-01.05)
- GOLD PLATING: 3u"-50u", ARE AVAILABLE.



BLADE:	E				
Drawing			CABLE TYPE	ROUND	
Mark	✓		Mark	✓	
GOLD PLATING					50u"
Mark					✓

AC			
DIMENSION IN mm (Inch) TOLERANCE UNLESS OTHERWISE SPECIFIED		MATERIAL	DWG. NO.
		PC	TD108A
.X±0.20	.X*±5*	TITLE	
.XX±0.10	.XX*±2*		
APPROVAL	CHECKED	DRAWN	SCALE 2/1 SHEET 1/1
		LiJing	PROJ. REV A

1

2

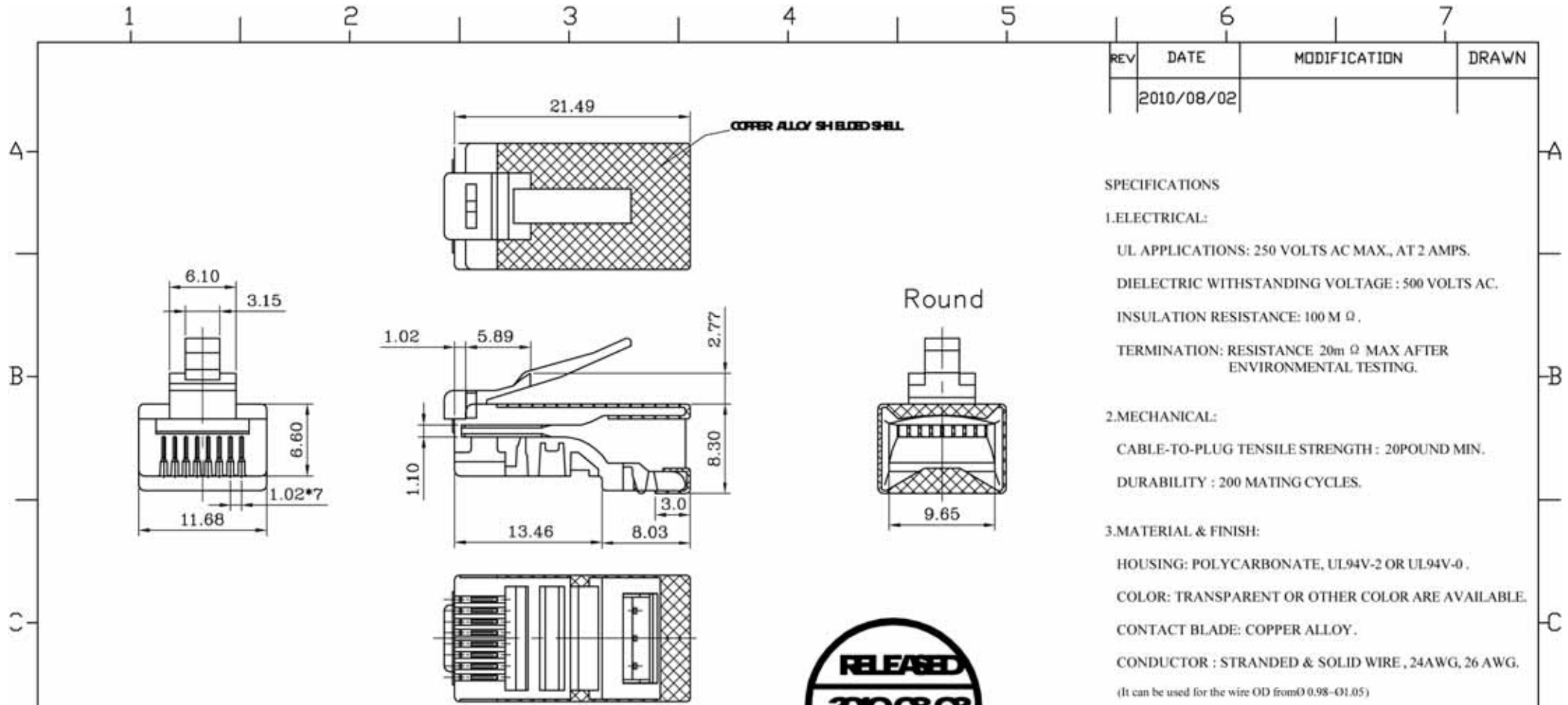
4

5

6

7

REV	DATE	MODIFICATION	DRAWN
	2010/08/02		



SPECIFICATIONS

1.ELECTRICAL:

UL APPLICATIONS: 250 VOLTS AC MAX., AT 2 AMPS.
 DIELECTRIC WITHSTANDING VOLTAGE : 500 VOLTS AC.
 INSULATION RESISTANCE: 100 M Ω.
 TERMINATION: RESISTANCE 20m Ω MAX AFTER ENVIRONMENTAL TESTING.

2.MECHANICAL:

CABLE-TO-PLUG TENSILE STRENGTH : 20POUND MIN.
 DURABILITY : 200 MATING CYCLES.

3.MATERIAL & FINISH:

HOUSING: POLYCARBONATE, UL94V-2 OR UL94V-0.
 COLOR: TRANSPARENT OR OTHER COLOR ARE AVAILABLE.
 CONTACT BLADE: COPPER ALLOY.
 CONDUCTOR : STRANDED & SOLID WIRE , 24AWG, 26 AWG.
 (It can be used for the wire OD from 0.98-01.05)
 GOLD PLATING: 3u"-50u", ARE AVAILABLE.

BLADE:	A				
Drawing			CABLE TYPE	ROUND	
Mark	✓		Mark	✓	
GOLD PLATING					50u"
Mark					✓



AC		MATERIAL		DVG. NO.	
DIMENSION IN mm (Inch) TOLERANCE UNLESS OTHERWISE SPECIFIED		PC		TD108B	
.X±0.20		.X*±5*		TITLE	
.XX±0.10		.XX*±2*		DRAWN	
APPROVAL		CHECKED		SCALE 2/1	
				SHEET 1/1	
		LiJing		REV A	