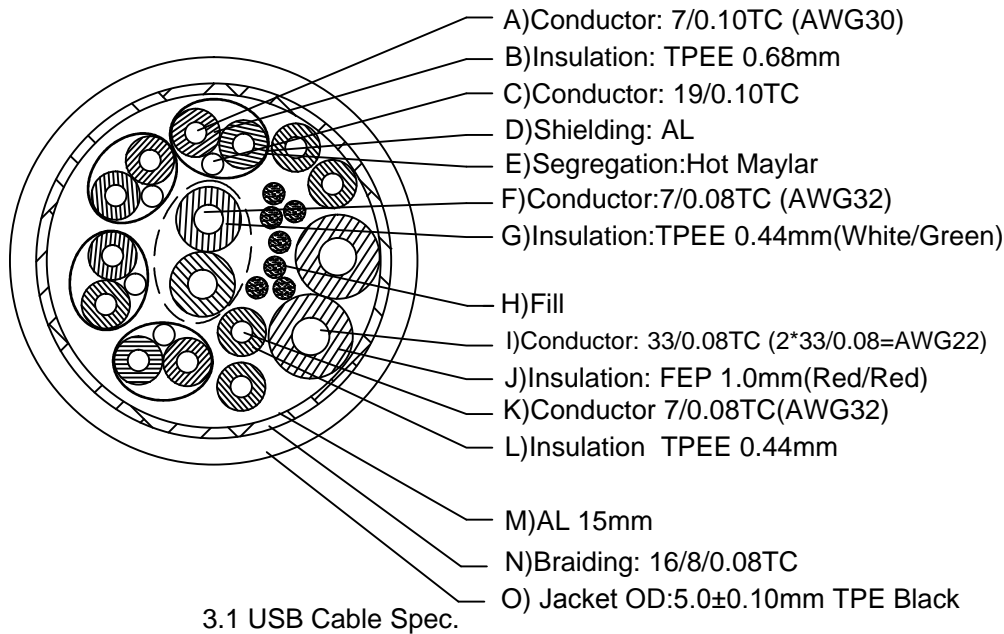
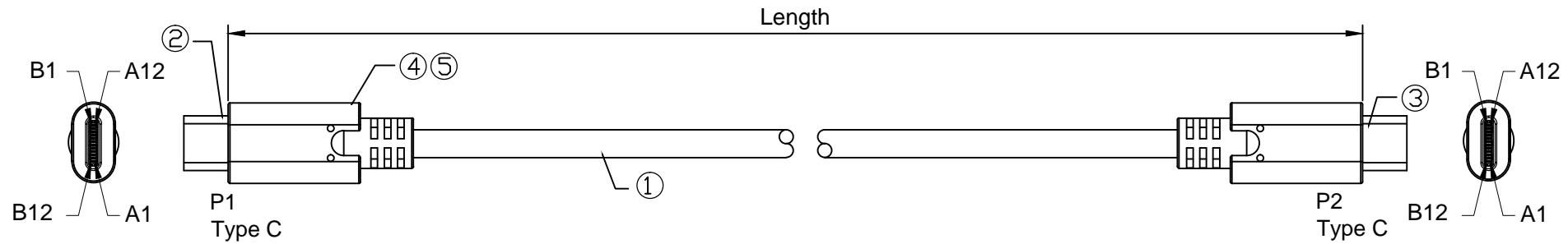
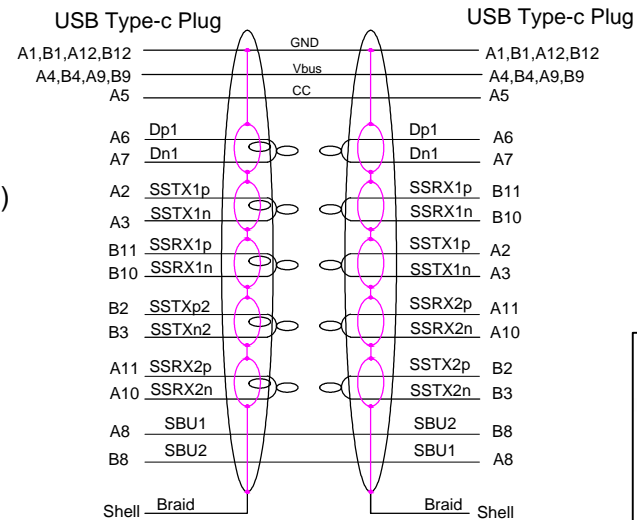


REV.	REVISED DESCRIPTION	DATE	CHECKED
A0	FIRST RELEASE	2018/08/30	



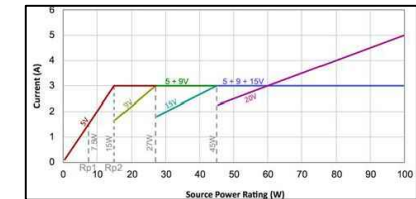
CONNECTION



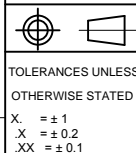
Remark:

1. 100% Open/Short Test
2. Conductive Resistance: 2ohms MAX
3. Insulation Resistance: 5M ohm MIN.
4. The product is Reach/RoHS compliant.
5. Support 3.1 Gen1 (5V/3A 15W)

Item No.	Length(m)
SB0029	2.0m



ITEM	DESCRIPTIONS & SPECIFICATIONS	QTY	REMARK
④	External Mold	Outer Mould 45P PVC, Black	2PCS
③	Innernal Mold	Inner Mould PE	2PCS
②	Connector	USB Type C Male, PCBA, no pull-up resistor	2PCS
①	Cable	[(7/0.10TC+0.68TPEE)*1P+D(19/0.10)+AL+Mylar]*4P + [7/0.08TC+0.44TPEE(White/Green)]*1P + [33/0.08TC +0.88FEP(Red/Red)]*2C+(7/0.08TC+0.44TPEE)*4C +filler+AL+16/8/0.08TC+TPE OD5.0mm Black	



		ERP NO.:		SAMPLE DWG NO.:	
		DOC No.:		REVISION	A0
CUSTOMER:			UNIT	mm	
CUSTOMER P/N:			SCALE	NO	
DESCRIPTION		USB 3.1 Type C male to Type C male	PAGE NO	1/1	
			DATE	2018/08/30	
APPROVAL		CHECKED		DRAWN	