

1 2 3 4 5 6

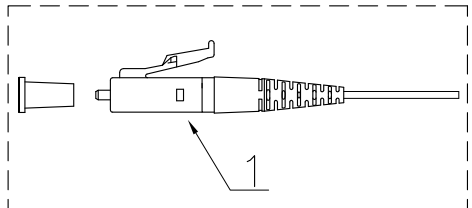
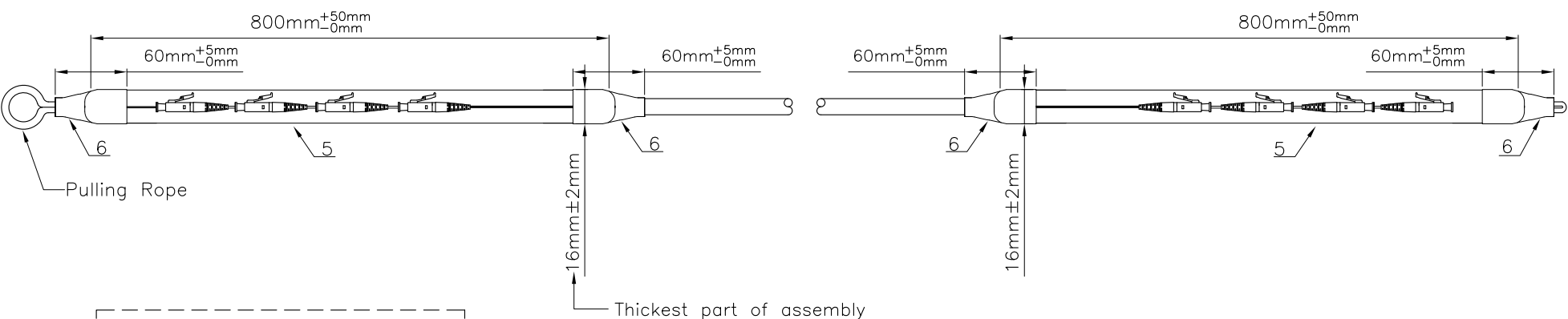
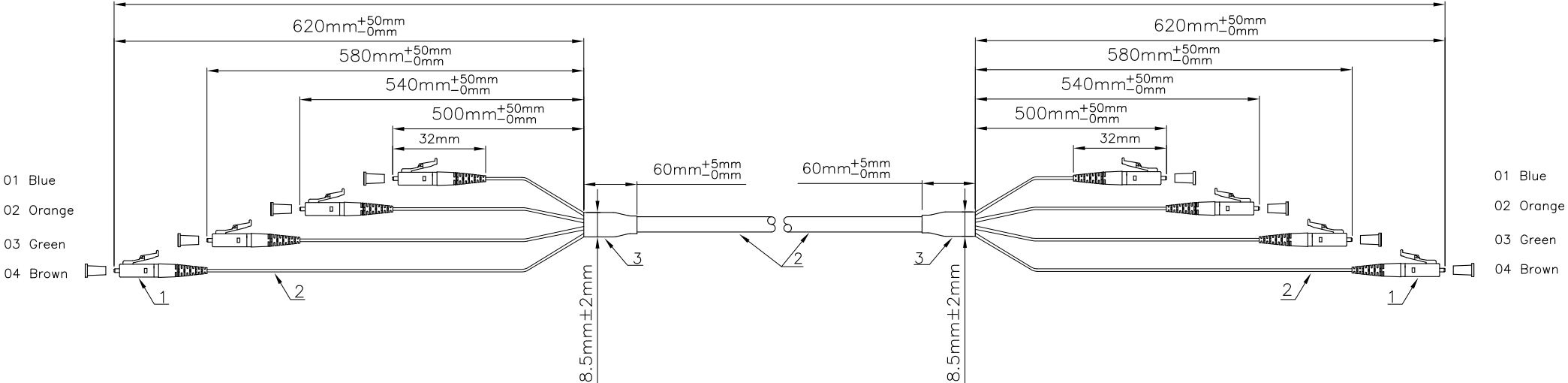
A

B

C

D

4
XM \pm 0.1M
-0.0M



LC Connector (SCALE 1/1)

GENERAL TOLERANCE OF DIMENSIONS X.xxx \pm 0.1 X.xx \pm 0.2 X.x \pm 0.3	DRAWING	07.NOV.2022	YMN	ACT
	CHECK	07.NOV.2022	DAY	
	APPROVAL	07.NOV.2022	FRANK	ITEM NO.:
	SCALE	1/2 (A4)	UNIT	mm
HSF Spec.		DRAWING NO.	Indoor&Outdoor Cable 4C OM3 4xLC to 4xLC 900um buffer(SOB)	
RoHS		DRAWING CLASSIFICATION	S	SHEET

08

1 2 3 4 5 6

10cm

1

2

3

4

5

6

A

Specification:

1. LC UPC Connector :

Mode	Ferrule	Housing	Boot	Cap
MM Low Loss	Zirconia(Ø1.25mm)	Ivory(PC)	White(TPV)	White(PE)

2. Cable Type:

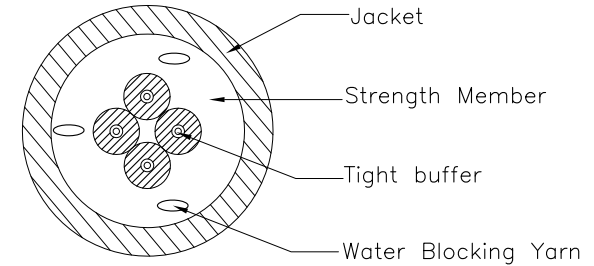
- 2-1. 4C Ø6.5mm Indoor/Outdoor Cable with 900um Tight Buffer, UV Resistance.
EN 50575: 2014+A1: 2016 CPR Dca-s2, d2, a3
- 2-2. Ø0.9mm Jacket for 4 Colors.

Category	Jacket O.D.	Jacket Material	Color
OM3(50/125um)	Ø6.5mm	LSZH	Black

- 3. Heat Shrink Tubing Length : 60mm
- 4. Length : x Meter
- 5. Protective Tube : Transparent, 12x15mm, PVC Material.
- 6. Heat Shrink Tubing Length : 60mm

Performance:

- a. Insertion Loss : Typical 0.1dB, Max. < 0.15dB
- b. Return Loss : >35 dB
- c. Insertion Loss will be Increased after 500 mating: 0.2 dB Max
- d. Operating Temperature: -20°C to +70°C
- e. Storage Temperature: -40°C to +80°C



Cable Section (SCALE 5/1)

B

C

D

GENERAL TOLERANCE OF DIMENSIONS X.XXX ±0.1 X.XX ±0.2 X.X ±0.3	DRAWING	07.NOV.2022	YMN	ACT	
	CHECK	07.NOV.2022	DAY		
	APPROVAL	07.NOV.2022	FRANK		
		DATE	NAME	ITEM NO.:	
	SCALE	1/1 (A4)	UNIT	mm	DES.: Indoor&Outdoor Cable 4C OM3 4xLC to 4xLC 900um buffer
HSF Spec.		DRAWING NO.		Indoor&Outdoor Cable 4C OM3 4xLC to 4xLC 900um buffer(S08)	
RoHS		DRAWING CLASSIFICATION		S	SHEET

1

2

0

3

4

10cm

5

6



Standard compliance:

- IEC 61754-20 Fibre optic connector interfaces – Type LC connector family
- IEC 61300-3-47 Examinations and measurements – End face geometry of PC/APC spherically polished ferrules using interferometry
- IEC 60794-2-20 Indoor cables – Family specification for multi-fibre optical cables
- IEC 60794-1-2 Basic optical cable test procedures
- IEC 60332-1-2 Test for vertical flame propagation for a single insulated wire or cable
- IEC 60754-1 Determination of the halogen acid gas content
- IEC 60754-2 Determination of acidity (by pH measurement) and conductivity
- IEC 61034-2 Measurement of smoke density of cables burning under defined conditions
- EN 50575: 2014+A1: 2016 Power, control and communication cables – Cables for general applications in construction works subject to reaction to fire requirements

Cable Pulling Tensile Force Max. 350N.

Acc’y: 2 pieces M20 cable gland, fits cable o.d. 8-14mm

Package:

Bag pack when cable length <120M
 Reel pack when cable length >=120M, ref. below table.

4C	Reel Weight	Reel Dimension
120M	1.7KG	H327mm x ϕ 345mm
121-240M	2KG	H327mm x ϕ 400mm
241-290M	2.8KG	H330mm x ϕ 450mm
291M up	3KG	H330mm x ϕ 480mm

GENERAL TOLERANCE OF DIMENSIONS X.xxx ±0.1 X.xx ±0.2 X.x ±0.3	DRAWING	07.NOV.2022	YMN	ACT	
	CHECK	07.NOV.2022	DAY		
	APPROVAL	07.NOV.2022	FRANK		
		DATE	NAME	ITEM NO.:	
	SCALE	1/1 (A4)	UNIT	mm	DES.: Indoor&Outdoor Cable 4C OM3 4xLC to 4xLC 900um buffer
HSF Spec.		DRAWING NO.		Indoor&Outdoor Cable 4C OM3 4xLC to 4xLC 900um buffer(S08)	
RoHS		DRAWING CLASSIFICATION		S	SHEET

