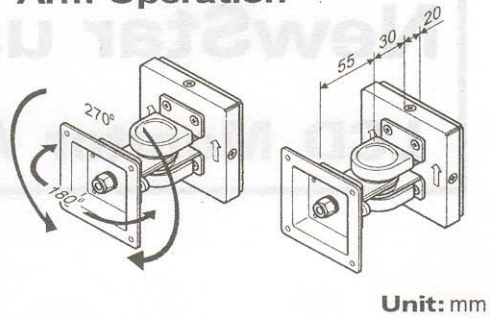


# LCD Monitor Arm

## Fitting Check-List

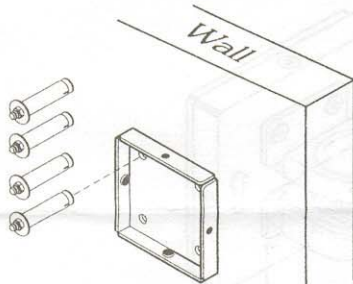
01	Small Screw	8pcs	
02	Long Screw	4pcs	
03	Cable Holder	1pcs	
04	Cable Tie	3pcs	
05	Cover	2pcs	

## Arm Operation



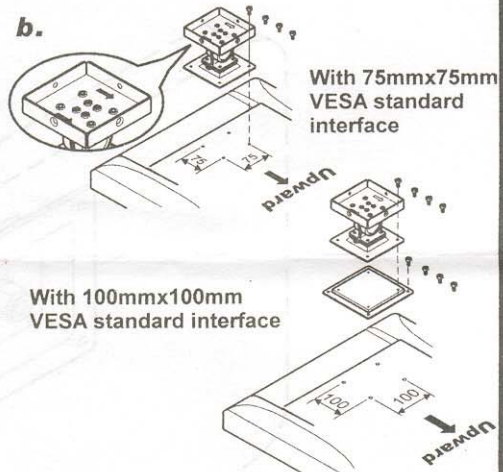
## Assembly Guide

a.



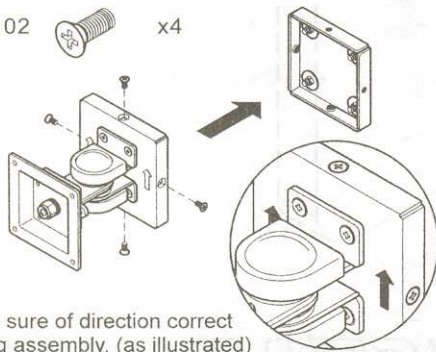
Secure bottom plate firmly to the wall with four expansion screws (not supplied).

b.



Make sure of direction correct during assembly. (as illustrated)

c.



Make sure of direction correct during assembly. (as illustrated)

d.



Use cable holder 03 & cable tie 04 supplied to finish cable management.

## Caution:

- Standard product fit VESA interface 75\*75mm & 100\*100mm.
- Before assembling, please check assembly guide thoroughly to avoid any mistake.
- Weight capacity for 1-6kgs LCD monitors.
- Standard products include several small parts, keep out of children when assemble this product and prevent children from swallowing them.
- Do not put your fingers on the joint during arm moving to prevent from clipping.

FPMA-W100

20030501