

Descriptions

- Designed with a rotative head
- IDC blocks specially made for cable AWG 26 to 22 solid cores
- Technology improvements :
 - Integrated gold contact and stable contact height
 - IDC technology
 - Compensation circuit
- Low useful depth : 26mm
- 4 insertors for a quick connection and safety by a mechanical blocking
- Tool less connection
- Colour code visibility to ensure a visual monitoring during connection
- Suitable for all IP based applications on static situation (IP cams, IP access control, Wifi access point ...)

Performances

Performance	
	Amd1.0 ISO 11801 channel Classe Ea
	EIA TIA 568-C.2 Channel Cat 6A

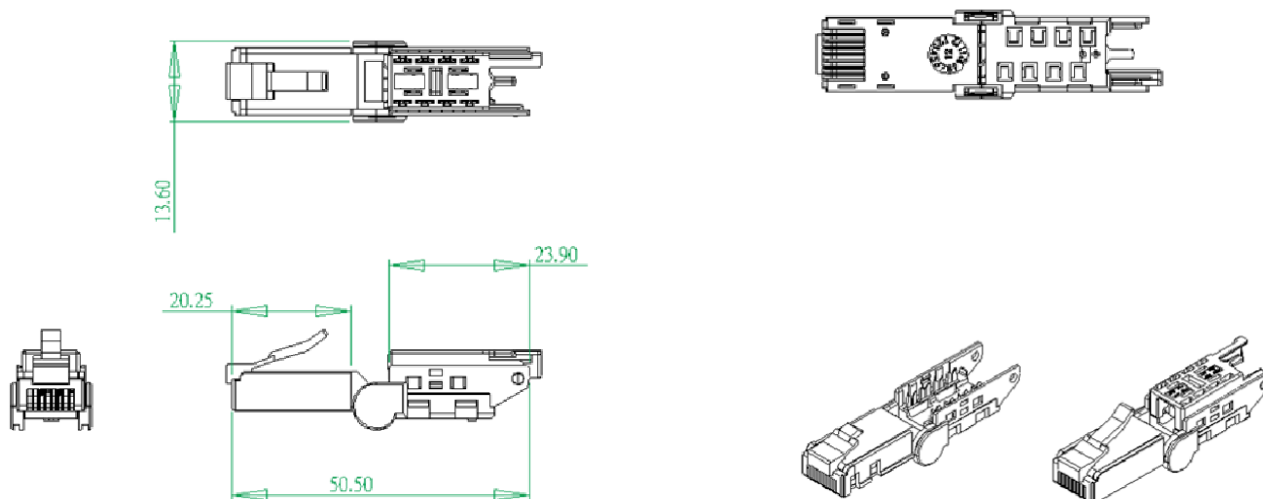
Technical properties

Connection without tool by IDC	Phosphor Bronze with nickel plating
Conductor gauge	AWG 26 to AWG 22 solid conductor with insulation max 1.27mm
Dimensions	Conforms to FCC part 68 subpart F requirements
Contacts	Gold plating in localized area over nickel undercoat
Housing	Fire retardant thermal plastic UL94-V0
Color code	568A and 568B

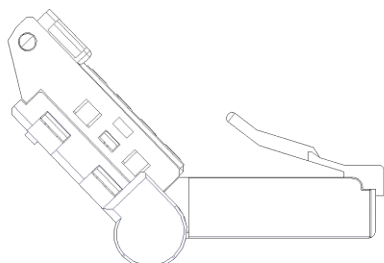
Technical properties

Contact resistance	≤ 20 mΩ
Input/output resistance	≤ 200 mΩ
Cycle of insertion	> 500
Cycle of head rotation	< 50
Operating voltage	≤ 72V dc

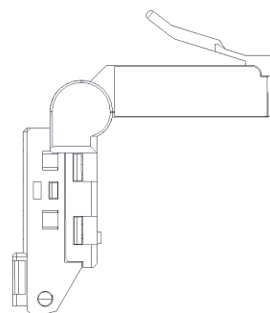
Exploded view and 3D picture



Rotative head

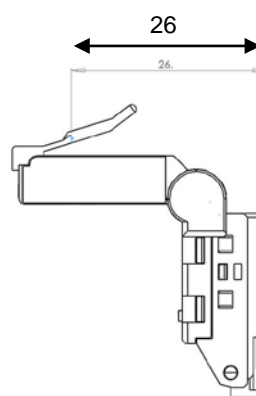
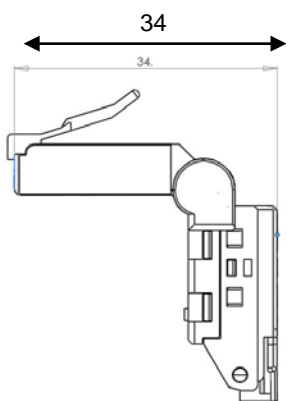


45° rotate



90° rotate

Low useful depth



Ordering informations

Item No	Designation	Shielding	Packaging
PLAG6ANB	RJ45 plug unshielded angled	Unshielded	unit