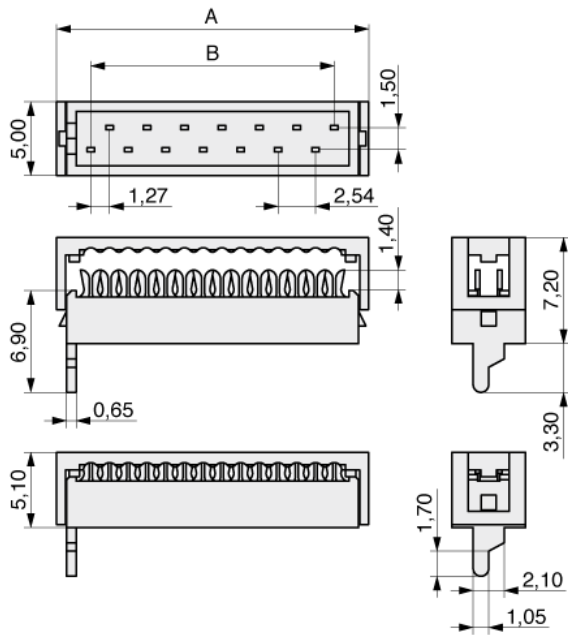


Pitch (mm)	
Mating pin size (range)	1,27
Cable termination	? 0,40x0,68
No of contacts	IDC
Polarising	4
Locking	Yes
Material contact	No
Material insulator	Phosphor bronze
Rated current	Thermoplast UL94V-0
Rated voltage	1,5 A
Withstand voltage	230 V _{RMS} / V _{DC}
Operating temperature	1000 V _{RMS} for 1 minute
Max. processing temper.	-40°C to +105°C
Packaging	230°C for 5 seconds
A	8,45
B	3,81

High density male IDC-termination connectors. These parts are compatible with industries standard products. Recommended cable: AWG 28 flat ribbon cable with 1,27 mm centerline.

With shrouded pins.



Date: 18.04.2011

Order code: 372-1-004-T-KT0



MPE Garry GmbH
Schäfflerstraße 13
87629 Füssen/Germany

Phone: +49 (0) 83 62 / 91 56-0
Fax: +49 (0) 83 62 / 91 56-500
Email: vk@mpe-connector.de

Internet: http://www.mpe-connector.de/index.php?lang=en&menu=4&s_product=372-1-004-T-KT0