

heavy|mate® - C146 F Socket module 17 pole

Part No. C146 10B017 500 15

Socket module 17 pole

Series Heavy duty connectors heavy|mate® - C 146

Subseries Heavy duty connector heavy|mate® - C146 F



View represents all available contact positions.

## COMMON CHARACTERISTICS

No. of contacts		17 + PE
Type of contact		Turned crimp contact
Sex of Contact		Socket

## ELECTRICAL CHARACTERISTICS

Rated voltage	DIN EN 60664-1 / IEC 60664-1	830V
Rated impulse voltage	DIN EN 60664-1 / IEC 60664-1	8000V
Installation category	DIN EN 60664-1 / IEC 60664-1	III
Insulation group	DIN EN 60664-1 / IEC 60664-1	II
Insulation resistance	DIN EN 60512-2, Test 3a / IEC 60512-2, Test 3a	$\geq 10^{10}$
Contact resistance	DIN EN 60512-2, Test 2a / IEC 60512-2 Test 2a	< 5 m
Pollution degree	DIN EN 60664-1 / IEC 60664-1	3

## CLIMATICAL CHARACTERISTICS

Climatic category	DIN EN 60068-1 / IEC 60068-1	40 / 100 / 21
-------------------	------------------------------	---------------

## MECHANICAL CHARACTERISTICS

IP degree of protection	DIN EN 60529 / IEC 60529	IP20 unmated
Insertion and withdrawal force	DIN EN 60512-13-2, Test 13b / IEC 60512-13-2, Test 13b	25 - 35 N
Mechanical lifetime		$\geq 500$ mating cycles

## MATERIALS

Contacts		CuZn
Insert		PA 6.6
Colour		black
Contact plating		silver plated / gold plated
Male contact		CuZn
Female contact		CuZn

## FURTHER CHARACTERISTICS

Termination		crimp
Wire gauge		0,14 mm <sup>2</sup> - 2,5 mm <sup>2</sup>
Wire gauge (AWG)		26 - 14
Flammability	UL 94	V-0

heavy|mate® - C146 F Socket module 17 pole

Part No. C146 10B017 500 15

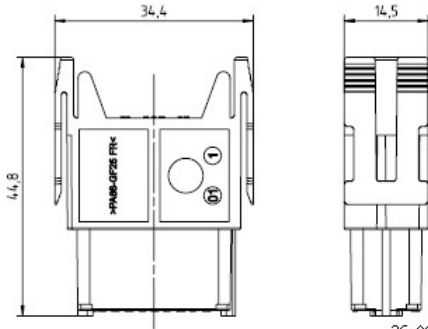
Socket module 17 pole

Series Heavy duty connectors heavy|mate® - C 146

Subseries Heavy duty connector heavy|mate® - C146 F



View represents all available contact positions.



Drawing Dimensions in mm (Inch)

26.06.2013