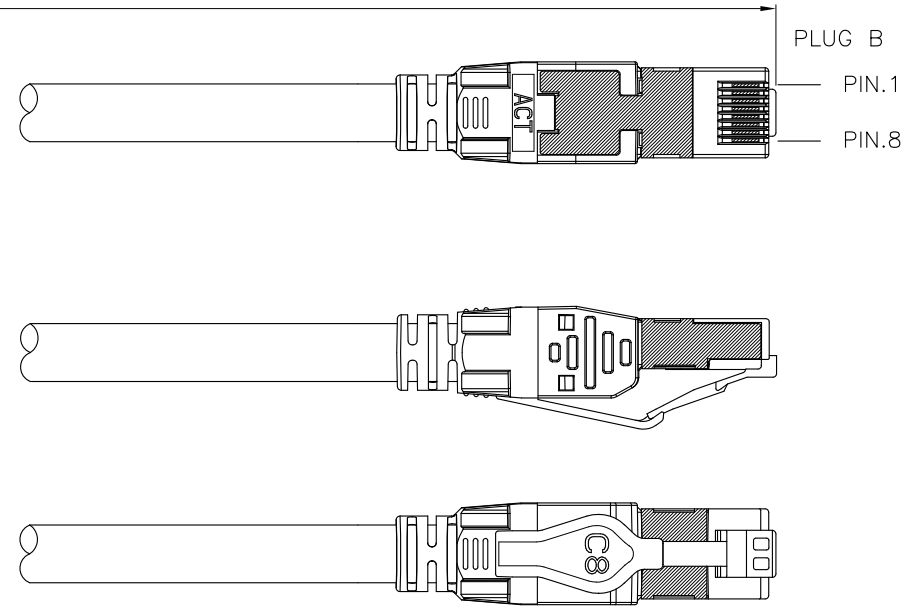
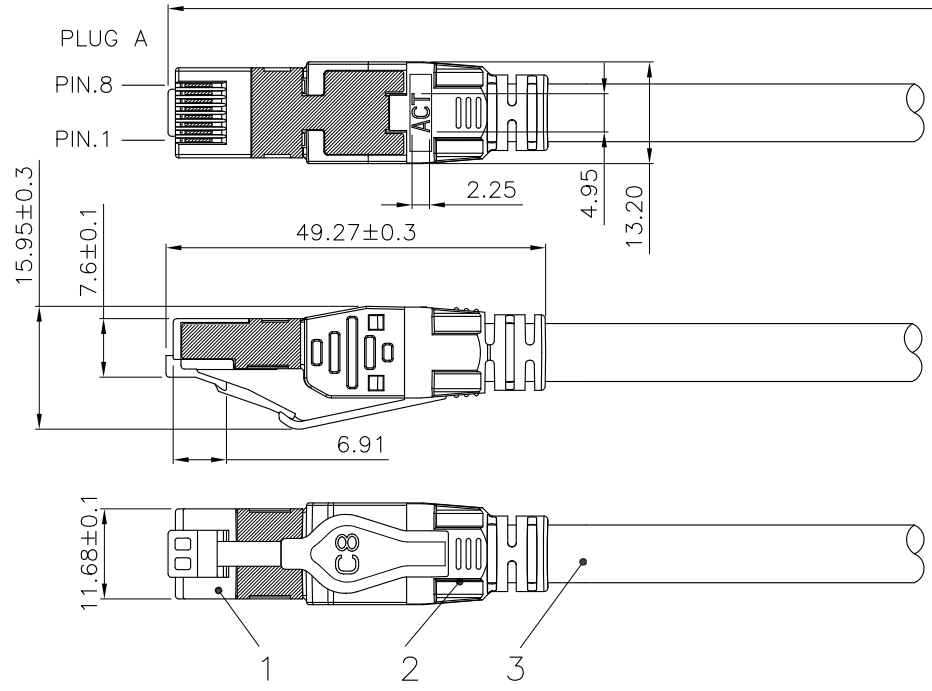


1 2 3 4 5 6

Total length



Cable Text Printing: CE 20 ACT Cat8 S/FTP CU LSZH 4x2xAWG24 ANSI/TIA-568.2-D Class I ISO/IEC 11801-1 IEC 60332-1-2

Length	Yellow	Tolerance
1M	FB8001	+0.2M/-0M
1.5M	FB8051	±0.2M
2M	FB8002	±0.2M
3M	FB8003	±0.2M
5M	FB8005	+0M/-0.2M

Specification :

- Material :
- RJ45 Plug : (JE P/N : FPM)
 - Housing : PC, UL 94V-2, transparent black color.
 - Contact material : Phosphor bronze with nickel plated.
 - Contact finished : 50 micro-inch gold plated on surface contact area.
 - Shield : copper with nickel plated.
 - PCB : UL 94V-0.
 - The structure complied with the IEC60603-7 requirement.
 - Strain Relief: PC, UL 94V-2, yellow color(RAL1021).
 - Cable :
 - C8 S/FTP 4 twisted pair.
 - Jacket : LSZH material.
 - Conductor : 24 AWG stranded copper.
 - Shield : Aluminum foil on each pair, tined copper clad with steel braid.
 - Cable structure : S/FTP, 4 twisted pair.
 - Minimum bending radius in mm : 140.
 - Conductor diameter : 24AWG 0.195±0.003mm.
 - Cable outer diameter : OD 7.4±0.2mm.

- Performance:
- T568B wiring.
 - Temperature rating min/max : -20 to 60°C(Under static conditions) .
 - The Cat.8 transmission performance is in compliance with the ISO/IEC 11801-1 Class I ANSI/TIA-568.2-D Cat.8.
 - IEEE 802.3bt PoE Type 4(Class 8(up to 73W at the PD).)

"#" : Matching DIM. "*" : Important DIM. Others General DIM.	DRAWING	12.OCT.2020	CY	ACT
	CHECK	12.OCT.2020	DAY	
	APPROVAL	12.OCT.2020	FRANK	
GENERAL TOLERANCE OF DIMENSIONS X.XXX ±0.005 X.XX ±0.05 X.X ±0.1	DATE	NAME	ITEM NO.:SCBIA066072001201002	
	SCALE	1/1 (A4)	UNIT	mm
	DRAWING NO. SCBIA066072001201002 S/FTP 24AWG Patch Cord LSZH/FPM(SA1)		DES.:S/FTP 24AWG Patch Cord LSZH/FPM	
DRAWING CLASSIFICATION		S	SHEET	1 OF 1

1 2 3 4 5 6 10cm