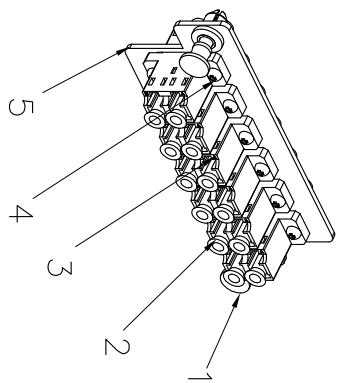
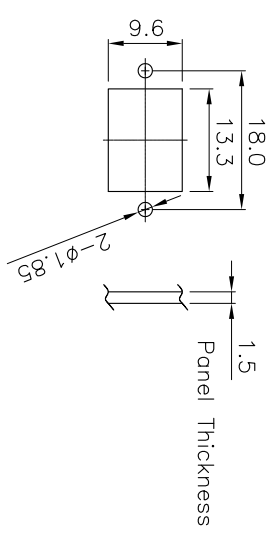
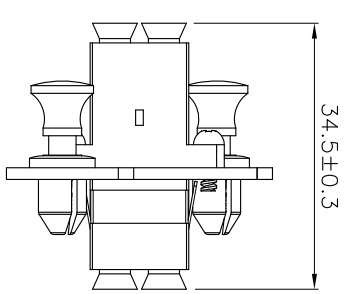
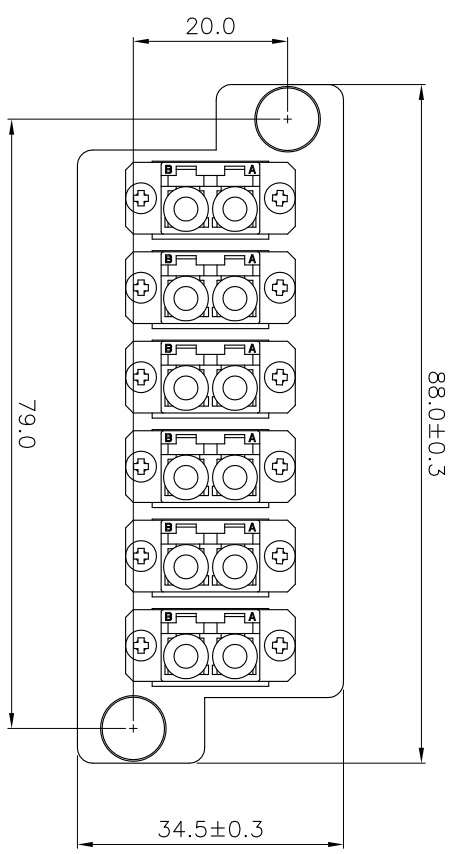


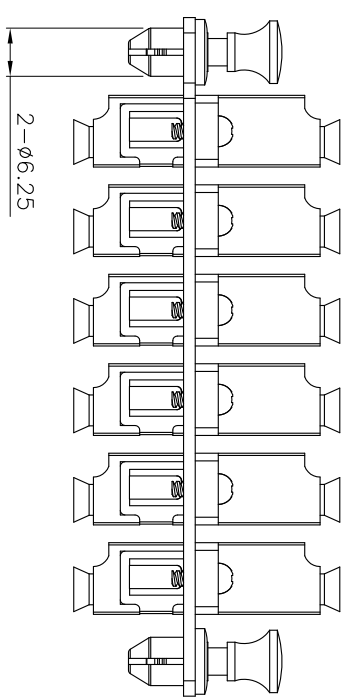
1 2 3 4 5 6



SCALE 1/2



SUGGESTSD PANEL CUTOUT



- Specification :
1. Accessory : 2 pcs, nylon snap rivet.
 2. Dust Cap : 24 pcs, PP.
 3. Adaptor : 6 pcs, LC to LC, duplex, SC footprint, flange, w/ Zr. sleeve, Violet
 4. Screw : 12 pcs, M2*6/3.3mm, nickel plated.
 5. Panel material : SPCC, 1.5mm thickness.



GENERAL TOLERANCE OF DIMENSIONS		DRAWING		DATE		ITEM NO.:	
xxxx	±0.1	28.NOV.2023	DANIEL	28.NOV.2023	DAY	FA2155	
xxx	±0.2	28.NOV.2023	FRANK				
xx	±0.3						
HSF Spec.		SCALE	1/1 (A4)	UNIT	mm	DES.: ADAPTERPLATE 12DLC OM4	
RoHS		DRAWING NO.		ADAPTERPLATE		12DLC OM4(SA1)	
		DRAWING CLASSIFICATION		S		SHEET 1 OF 1	

D

C

B

A

1 2 3 4 5 6

0

10cm