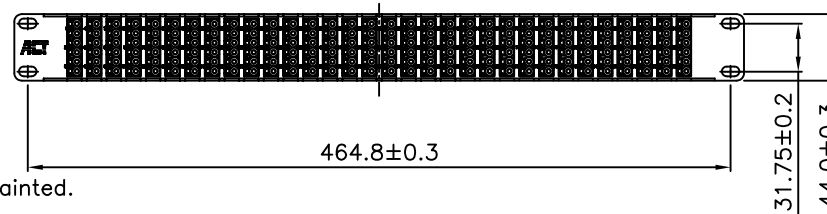
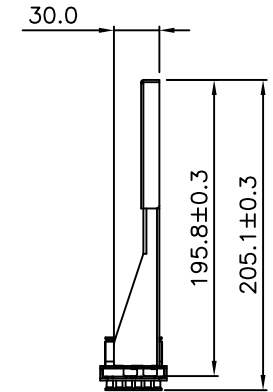
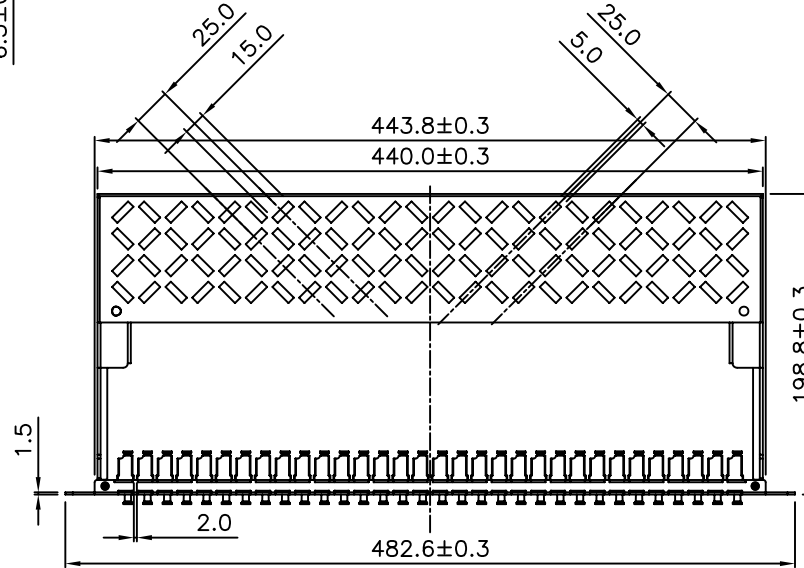
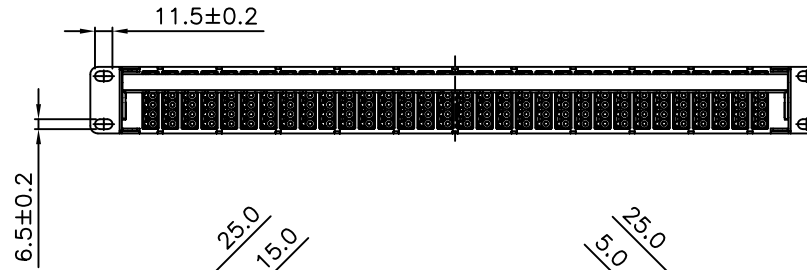
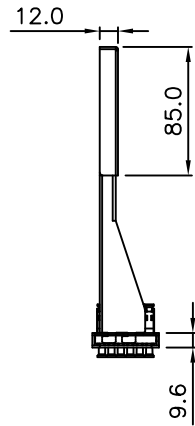


SCALE 1/5



Specification :

- 1.Support bar: SPCC, 1.5mm Thickness With Black(RAL9005) Color Liquid Painted.
- 2.Panel: SPCC, 1.5mm Thickness With Black(RAL9005) Color Liquid Painted.
- 3.LC Adaptor: 32pcs, LC to LC, 6Port Flangless, One piece Type, Zr. Sleeve, Purple Color.

Performance :

- a. Dimension : 19.0" x 8.07" x 1.73"  
(482.6 x 205.1 x 44.0mm)
- b. Weight : 1.0kg.

GENERAL TOLERANCE OF DIMENSIONS  
X.XXX ±0.005  
X.XX ±0.05  
X.X ±0.1

DRAWING	27.SEP.2021	DANIEL	<b>ACT</b>
CHECK	27.SEP.2021	DAY	
APPROVAL	27.SEP.2021	FRANK	
DATE		NAME	ITEM NO.: FA2100
SCALE	1/5 (A4)	UNIT	mm
DES.:FIBER PANEL 192XDUPLEX LC OM4			
DRAWING NO.		FIBER PANEL 192XDUPLEX LC OM4(S01)	
DRAWING CLASSIFICATION		S	SHEET 2 OF 2

