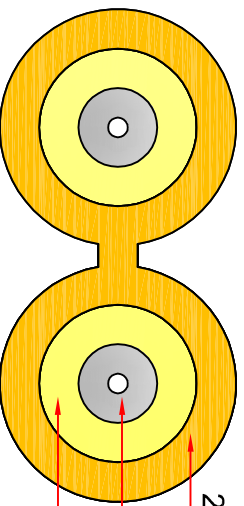
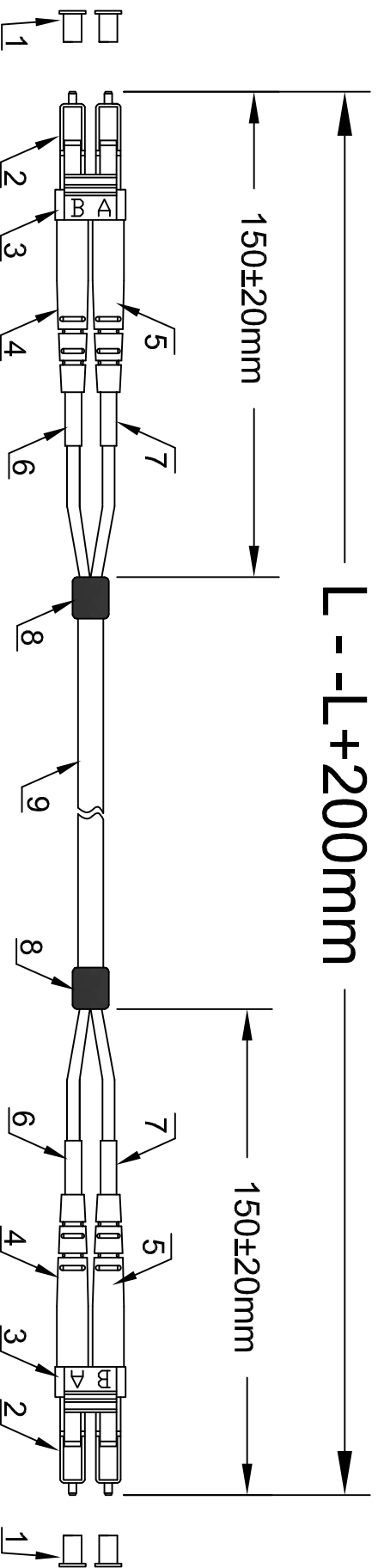


**L - -L+200mm**



2.0mm outer jacket LSZH Orange  
 900u buffer & OM2 fiber  
 Aramid yarn

LC/PC --- LC/PC DX 2.0mm OM2 LSZH Orange

ITEM	Description	QTY
1	LC dust cover white	4 PCS
2	LC/PC MM simplex connector beige	4 PCS
3	LC clip beige	2 PCS
4	LC 2.0mm boot white	2 PCS
5	LC 2.0mm boot yellow	2 PCS
6	LC heat-shrink tubing white	2 PCS
7	LC heat-shrink tubing yellow	2 PCS
8	Breakout heat-shrink tubing black L=15mm	2PCS
9	OD=2.0mm MM duplex OM2 50/125um fiber optical cable LSZH Orange	1 PC

ASSEMBLY CONNECTIVITY	
LC/UPC-1	LC/UPC-2
A	B
B	A

ITEM NO	LENGTH
EL9501	1.00m
EL9502	2.00m
EL9503	3.00m
EL9505	5.00m
EL9510	10.00m

**NOTE:**

1. Insertion loss : LC/PC <math>\leq 0.25\text{dB}</math> A: 850&1310nm  
Return loss : LC/PC >math>\geq 30\text{dB}</math> A: 850&1310nm
2. Durability: 500 matings
3. Operation temperature: -40°C to +85°C
4. LC connector according to IEC 61754-20

ROHS  
Complaint

<b>ewent</b> <small>BY INVENT</small>			
Designed by:	Yong Yu	Audit:	Qihua Cheng
Date:	2017-03-14	Approve:	Yong Huang
Unit:	mm	Sheet:	A4
Drawing NO:	SOP-ED-170314-18-V1		