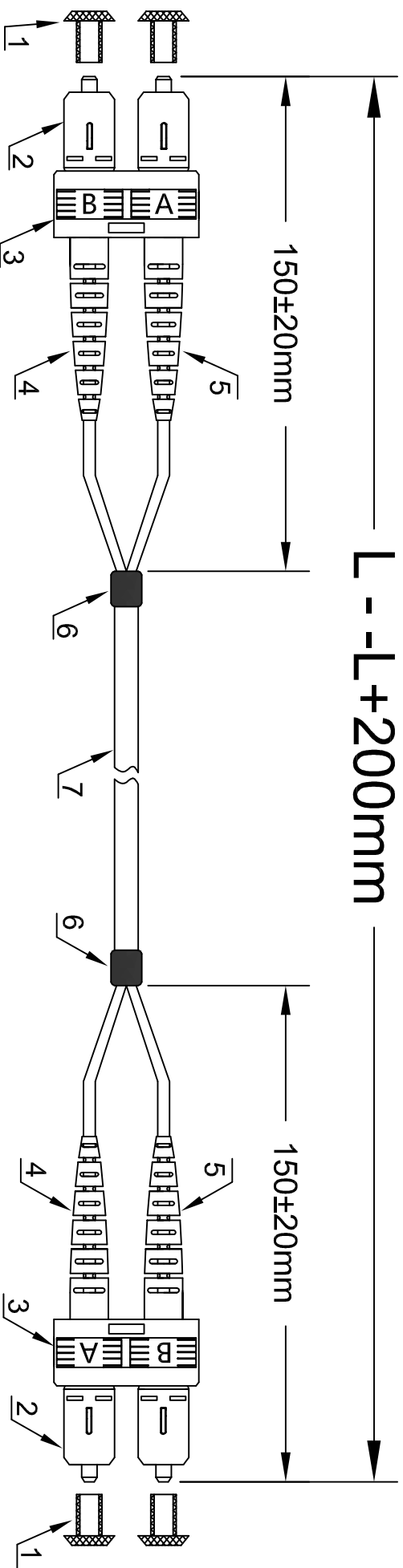
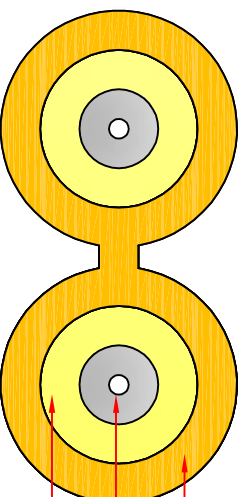


L - -L+200mm



ASSEMBLY	CONNECTIVITY
SC/UPC-1	SC/UPC-2
1	B
2	A

ITEM NO	LENGTH
EL3001	1.00m
EL3002	2.00m
EL3003	3.00m
EL3005	5.00m



2.0mm outer jacket LSZH Orange
 900u buffer & OM1 fiber
 Aramid yarn

NOTE:

- 1.Insertion loss :SC/PC<0.25dB λ : 850&1310nm
Return loss :SC/PC \geq 30dB λ : 850&1310nm
- 2.Durability:500 matings
- 3.Operation temperature:-40°C to +85°C
- 4.SC connector according to IEC 61754-4

ROHS
 Complaint

SC/PC --- SC/PC DX 2.0mm OM1 LSZH Orange

ITEM	Description	Q'TY
1	SC dust cover lucency	4 PCS
2	SC/PC MM simplex connector beige	4 PCS
3	SC clip beige	2 PCS
4	SC 2.0mm boot black	2 PCS
5	SC 2.0mm boot red	2 PCS
6	Breakout heat-shrink tubing black L=15mm	2 PCS
7	OD=2.0mm duplex OM1 62.5/125um fiber optical cable LSZH Orange	1 PC

ewent
 By e-went

Designed by:	Yong Yu	Audit:	Qihua Cheng
Date:	2017-03-14	Approve:	Yong Huang
Unit:	mm	Sheet:	A4
Drawing NO:	SOP-ED-170314-12-V1		