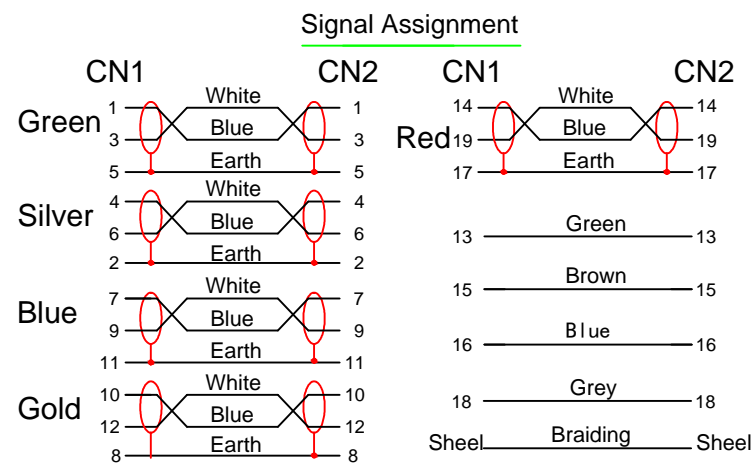
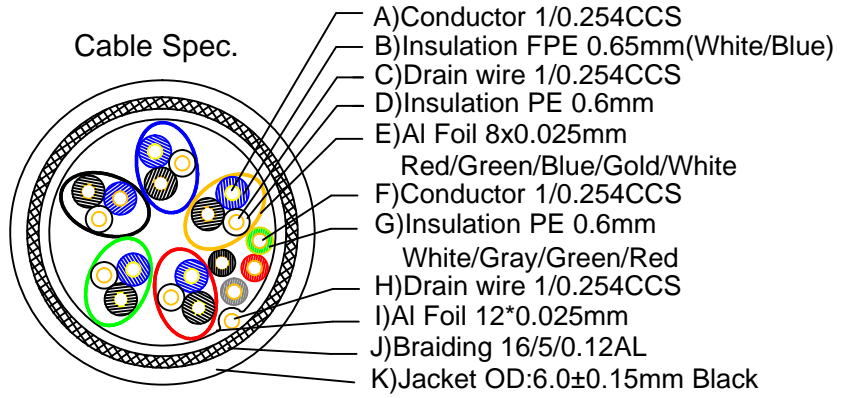
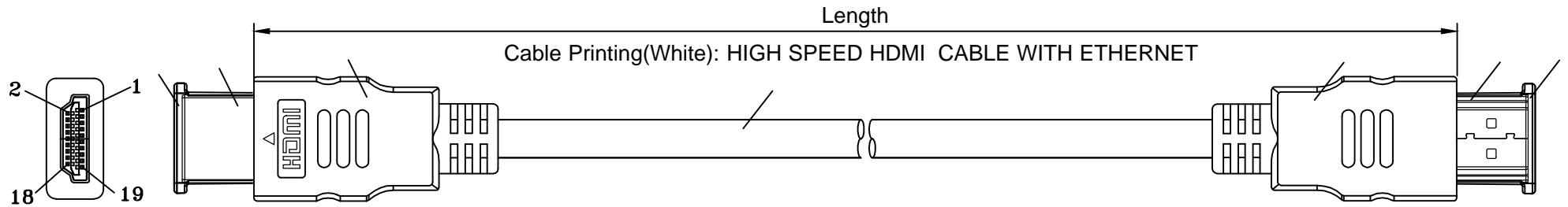




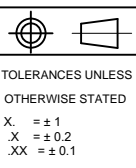
REV.	REVISED DESCRIPTION	DATE	CHECKED
A0	FIRST RELEASE		



- Remark:**
- 1.100% Opne/Short Test
 - 2.Conductive Resistance:5ohms MAX
 - 3.Insulation Resistance:10M ohm MIN.
 - 4.HI-POT:DC 300V/10MS.
 - 5.The product is RoHS compliant.
 - 6.Support 1080P/3D/4K*2K@60Hz

Item NO.	Length(m)
EC3901	1m
EC3902	2m
EC3903	3m

ITEM	DESCRIPTIONS & SPECIFICATIONS	QTY	REMARK
⑤	HDMI Protective Cap, PE	2PCS	
④	External Mold Outer Mould 45P PVC, Black	2PCS	
③	Innernal Mold Inner Mould PE	2PCS	
②	Connector HDMI A PLUG PIN, Gold-Plated	2PCS	
①	Cable 30AWG 1.4V (19+1CCS) 80ALB HDMI Cable OD:6.0mm [(0.254BC+FPE)*1P+D+AL]*5C + (0.254CCS+HDPE)*4C + AL + D + 80ALB + PVCOD6.0mm		



ERP NO.:		SAMPLE DWG NO:	
DOC No.:		REVISION	A0
CUSTOMER:		UNIT	mm
CUSTOMER P/N:		SCALE	NO
DESCRIPTION	High Speed HDMI with Ethernet	PAGE NO	1/1
APPROVAL		DATE	
CHECKED		DRAWN	