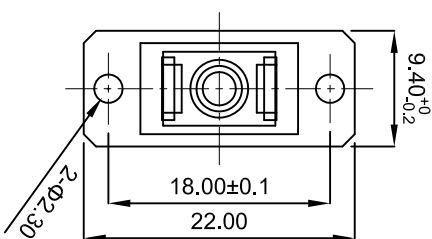
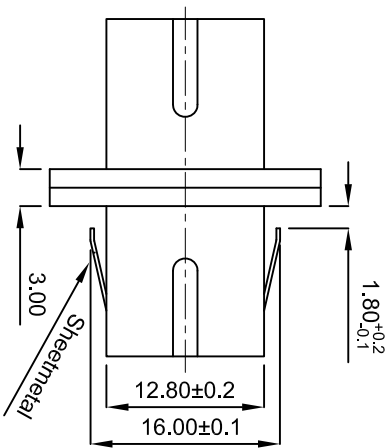
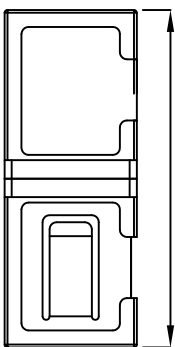


REV.	REVISION	DATE



27.40±0.40



General Specification

Item	Unit	Parameter
Insertion Loss	Typical	0.1
	Maximum	0.2
Durability	dB	< 0.20, typical change, 500 matings
Sleeve Pull Force	kgf	0.2-0.6
Operating Temp. Range	°C	-40~85


CUSTOMER APPROVAL:

DATE:



Remark:
1.Housing material :PBT
2.Sleeve material : Zirconia ZrO2

TITLE:
SC SIMPLEX ADAPTER AQUA

	UNIT:	mm	TITLE:		
DRAWN BY Vernon	DATE	2016/12/27	CUSTOMER	CUSTOMER PART NO.	EA1015
CHECKED BY Wale	DATE	2016/12/27	DRAWING NO.	REV. NO.	REV. A
APPROVED BY David	DATE	2016/12/27	TRENDX PART NO.		
SALE BY	DATE				

PART LIST

ITEM	Q'TY	PART NO.