

# Special heatsinks

## (Single mounting)

Applications:  
(Cases)



TO 220



TO 126 (SOT 32)

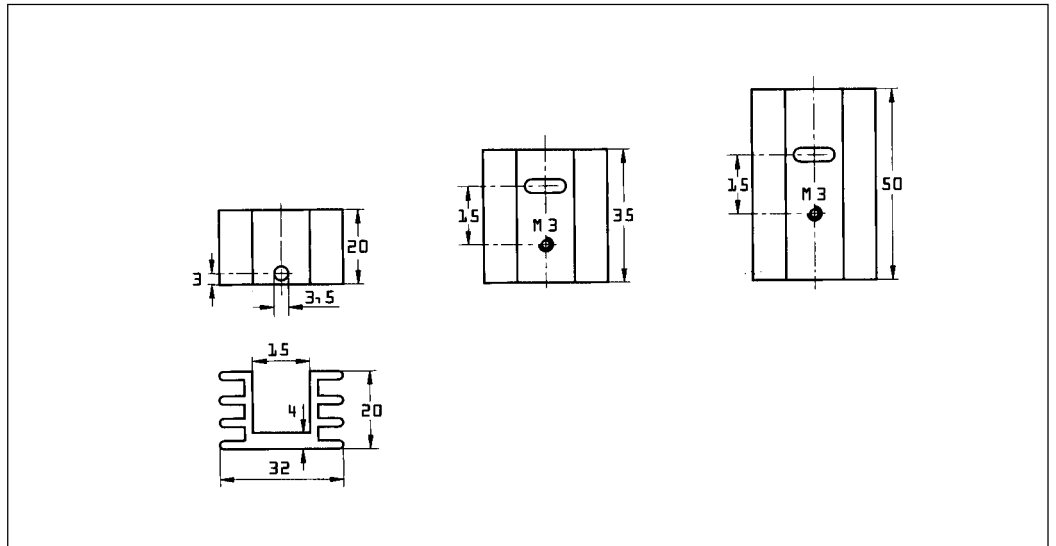


Type	L	R <sub>thk</sub> (K/W)
PR 24/20/SE	20	10,5
PR 24/35/SE	35	8,5
PR 24/50/SE	50	7

- Aluminium, black anodized  
- Basic extrusion (PR25) see page 9  
(Extruded heatsinks Standard)

Applications: (Cases)

TO 220

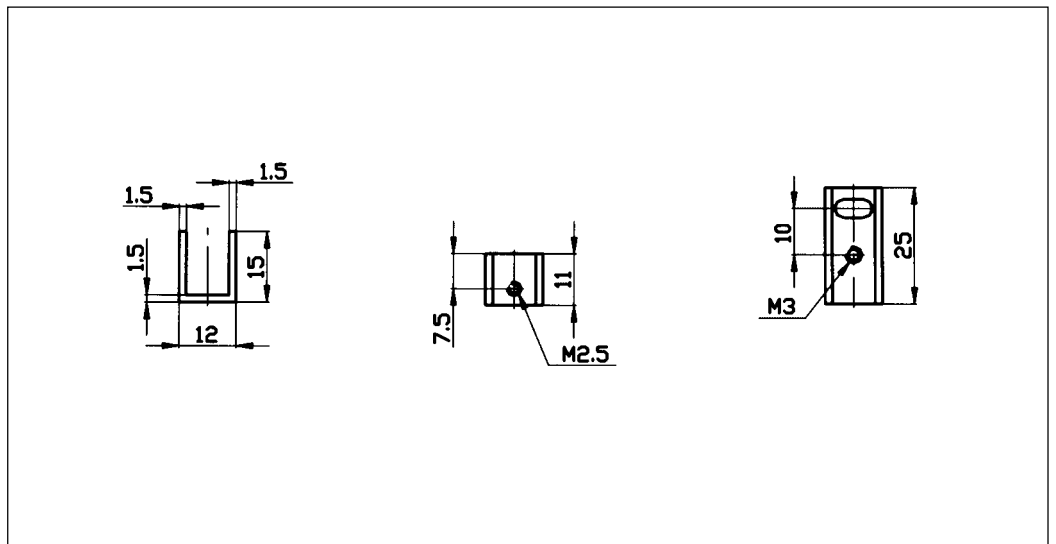


Type	L	R <sub>thk</sub> (K/W)
PR 10/11/SE	11	45
PR 10/25/SE	25	30

- Aluminium, black anodized

Applications: (Cases)

TO 126 (SOT 32)



Type	R <sub>thk</sub> (K/W)
PR 17/50/SE	21

- Aluminium, black anodized

Applications: (Cases)

2x TO 126 (SOT 32)

