

RoHS Compliant

REV.	Revision note	Date	Signature	Checked
1.0	Release to product	20/05/14		

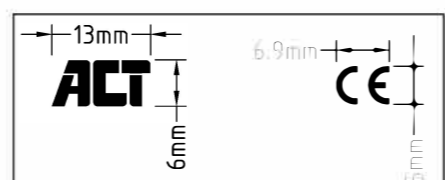
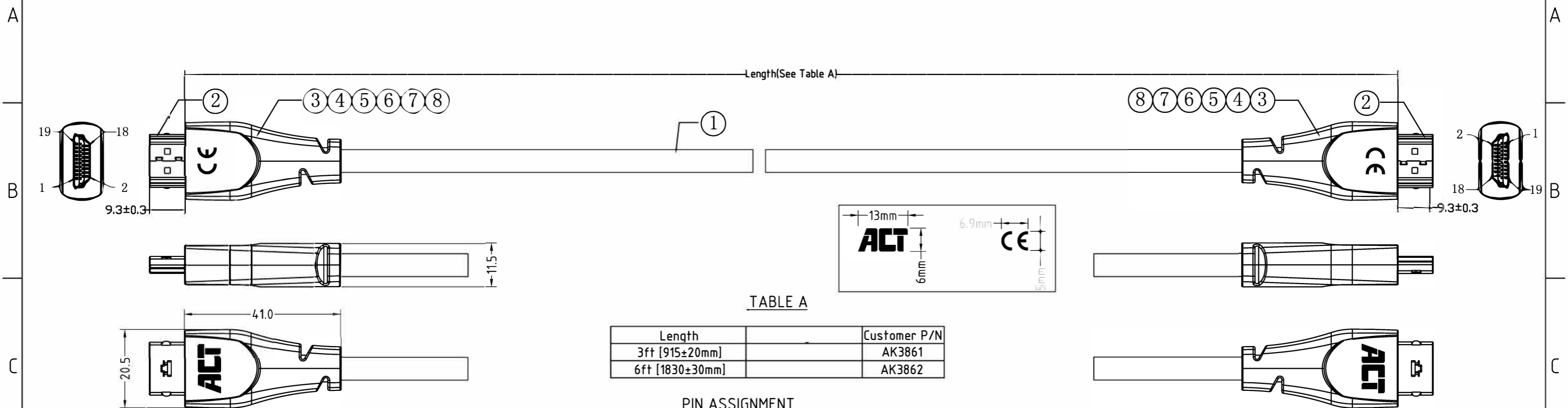
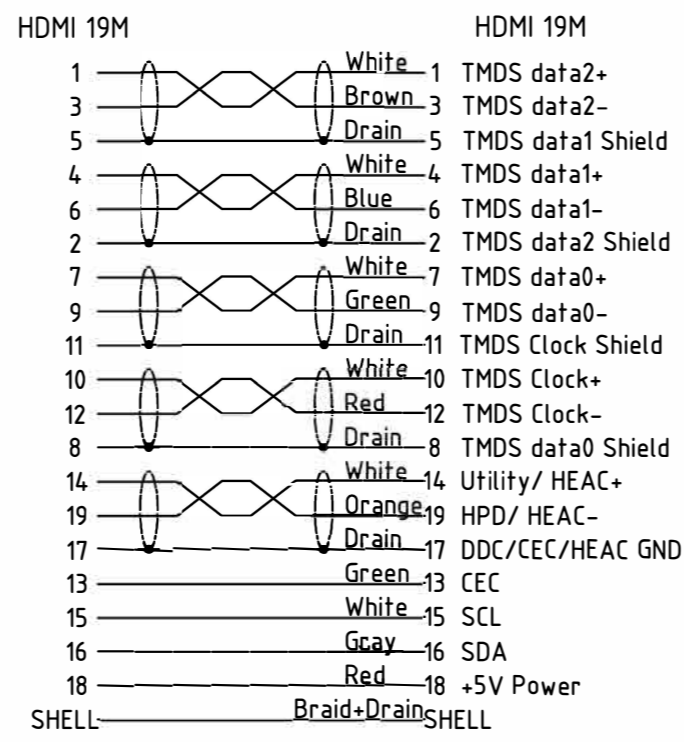


TABLE A

Length	Customer P/N
3ft [915±20mm]	AK3861
6ft [1830±30mm]	AK3862

PIN ASSIGNMENT

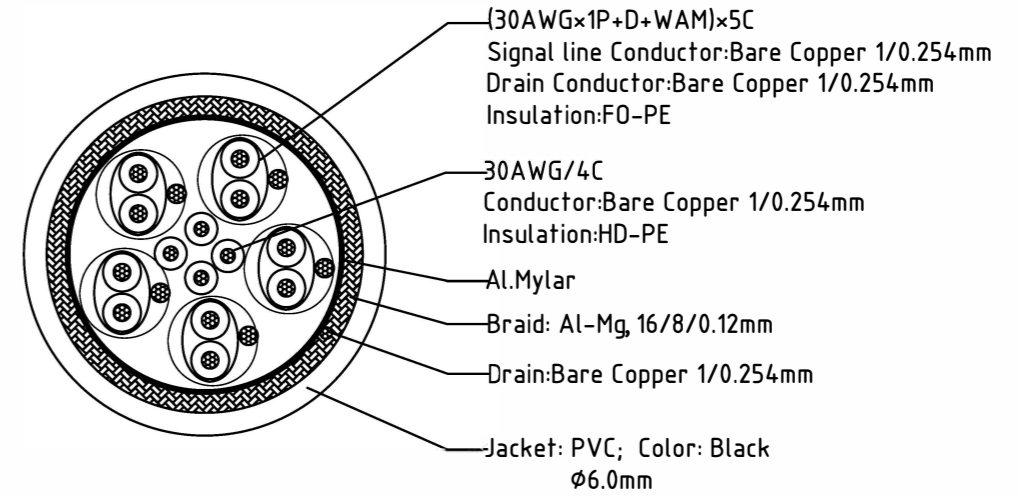


Electrical character:

- 100% Open/short/Intermittent testing
- Withstanding voltage:DC/AC 300V AT 10ms.
- Insulation resistance:10M Ohm(min)
- Residual operating current:
 - a.<1.M=0.5mA; b.1.0~2.0M=1.0mA;
 - c.2.0~3.0M=2.0mA; d.3.0~5.0M=3.0mA;
 - e.5.0~10M=5.0mA; f.10~15M=7.0mA;
- Conductive resistance:5 Ohm(Max)

Function Test:

- Supports 4K×2K/60Hz
- Supports 18Gbps,HDR,YUV4:4:4,HDCP2.2



NO.	PART NAME	SPEC DESCRIPTION	PART P/N	REMARK
8	Pad-Print	Pad-print LOGO (White)		
7	Overmold	PVC,45Pa,Black		
6	Copper Foil	Strong adhesive double-sided conductive copper 38U "(W50×L5MM) incision		
5	Tinplate	HDMI 19P/AM two piece tinplate (upper and lower)		
4	Innermold	LDPE endometrial material		
3	Wire Clip	20P/AM Automatic welding clamp type,30AWG black PBT.		
2	Conn	HDMI A/M ,PIN Gold Plated,Shell/Steel Gold Plated, locking connector		
1	Cable	(30#BC/1P+D+WAM)/5C+30#BC/4C+A+D+B(16/8/0.12,Al-Mg)+PVC,Black,ØD6.0mm		

Mould number:	Customer:	Customer P/N:	See TABLE A	Article No./ AK3861 - AK3862		
	Designed by:	Checked by:	Approved by	File number:	Date: 20/05/14	Scale: none
	ACT			Name: Premium HDMI Cable with S Lock 30AWG		
Packing file:				P/N:	Edition: 1.0	Sheet: